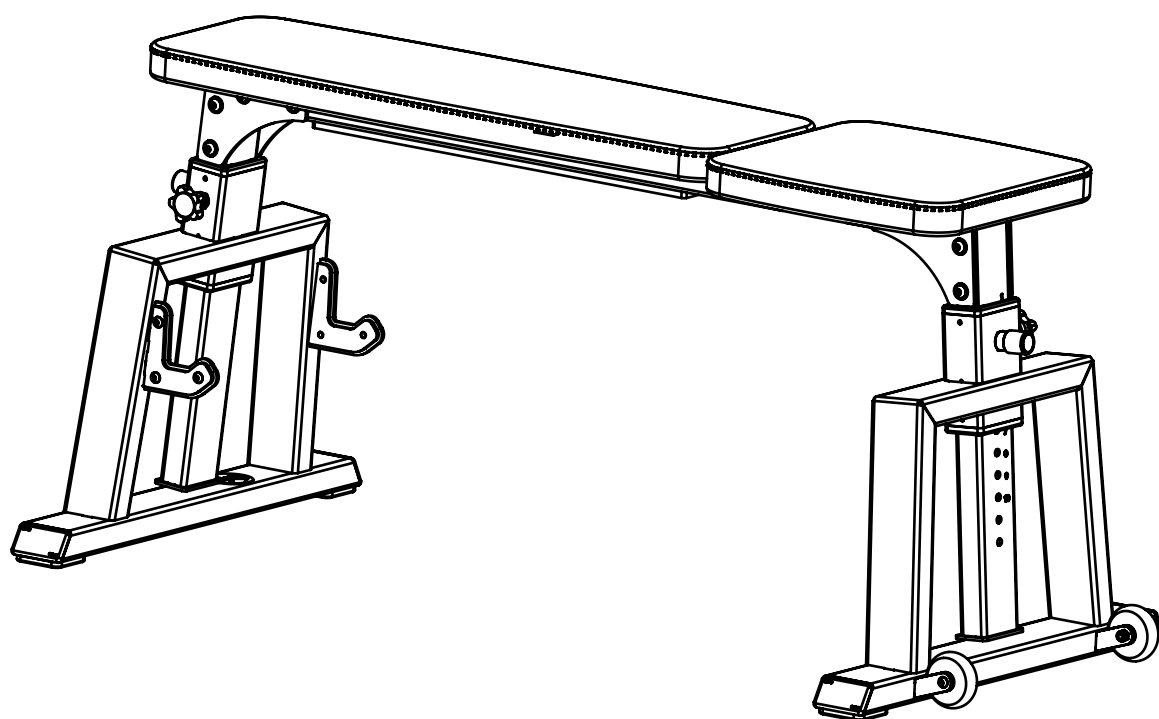


ELEIKO CLASSIC SEAL ROW

3061762-XXX



ELEIKO

READ BEFORE INSTALLATION AND USE

CAUTION

The equipment must be installed and used in a place whose access and supervision are specifically controlled by the owner.

Be sure to install the equipment on a stable base and properly level the equipment. ELEIKO recommends that all equipment is secured to floor and installed by a licensed contractor or an ELEIKO-installer.

SAFETY INSTRUCTIONS

It is the responsibility of the purchaser of ELEIKO products to instruct all users and supervising personnel on proper usage of the equipment.

1. All included warnings (labels) and instructions **MUST** be read before the use of any ELEIKO-equipment. Use each equipment as it is intended for.
2. A user **MUST** get a medical examination and proper instructions before the use of any ELEIKO-equipment.
3. **DO NOT** let anyone, under any circumstances, use equipment that appears to be damaged. Do not try to repair any equipment before consulting an ELEIKO technician.
4. **DO NOT** replace the components of ELEIKO-equipment with other none ELEIKO-equipment (magnetic safety pin, frames, bars), do not improvise. If there are any doubts consult an ELEIKO representative prior to any intervention.
5. **DO NOT** overload the equipment and **DO NOT** try to exceed personal strength levels.
6. Children under the age of 14 must be supervised by an adult.
7. **DO NOT** remove any safety labels from the ELEIKO-equipment. ELEIKO is not responsible if a label is removed. Replace damaged labels immediately.

PREVENTITIVE MAINTENANCE & INSPECTIONS

DAILY:

Cleaning of upholstery.

REGULARLY:

Clean the surfaces on frames and tubes from dust and dirt.

Check that all bolts between parts, walls, floors are properly tightened, according to recommendations.

WARRANTY

All products manufactured by ELEIKO are warranted to the original purchaser to be free from defects in workmanship and / or materials under normal use or service as follows:

10 years on welds on structural frame (NOT on moving parts)

180 days on upholstery

Normal wear and tear does not fall under the warranty of two years.

ADDITIONAL INFORMATION

This equipment is for indoor use only. This equipment is in compliance with SS-EN ISO 20957-1 and the relevant chapter SS-EN 957-4.

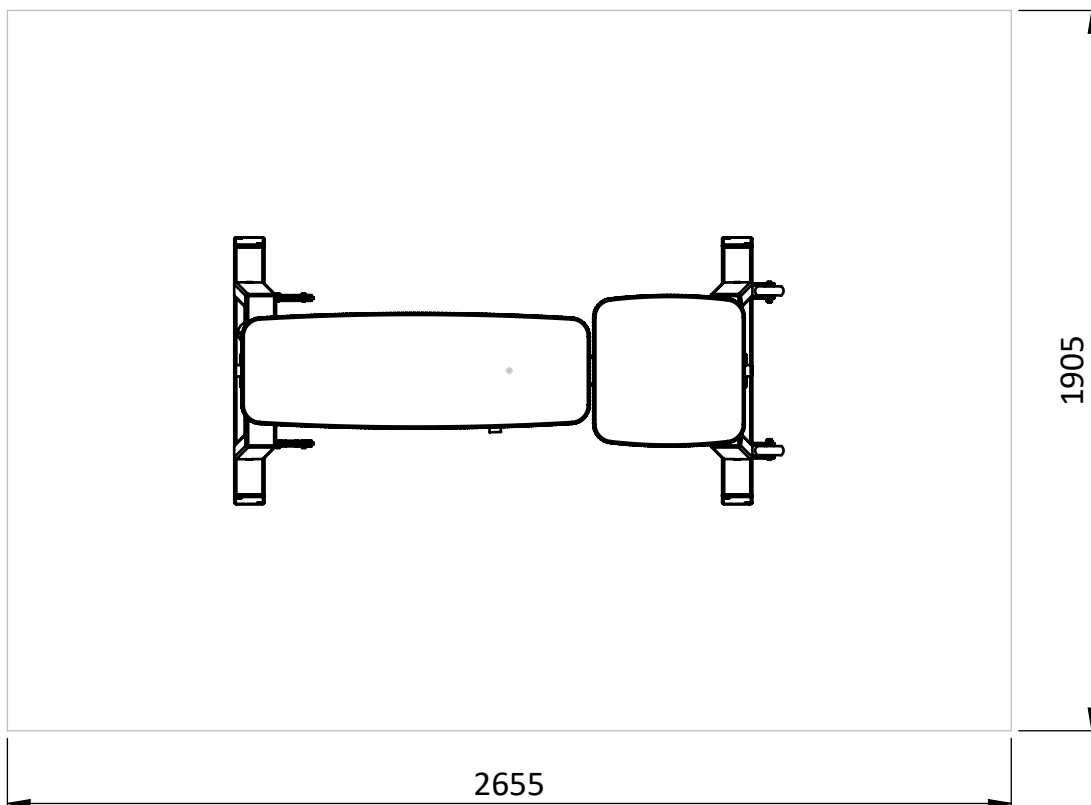
ELEIKO

PRODUCT SPECIFICATIONS

Product usage...

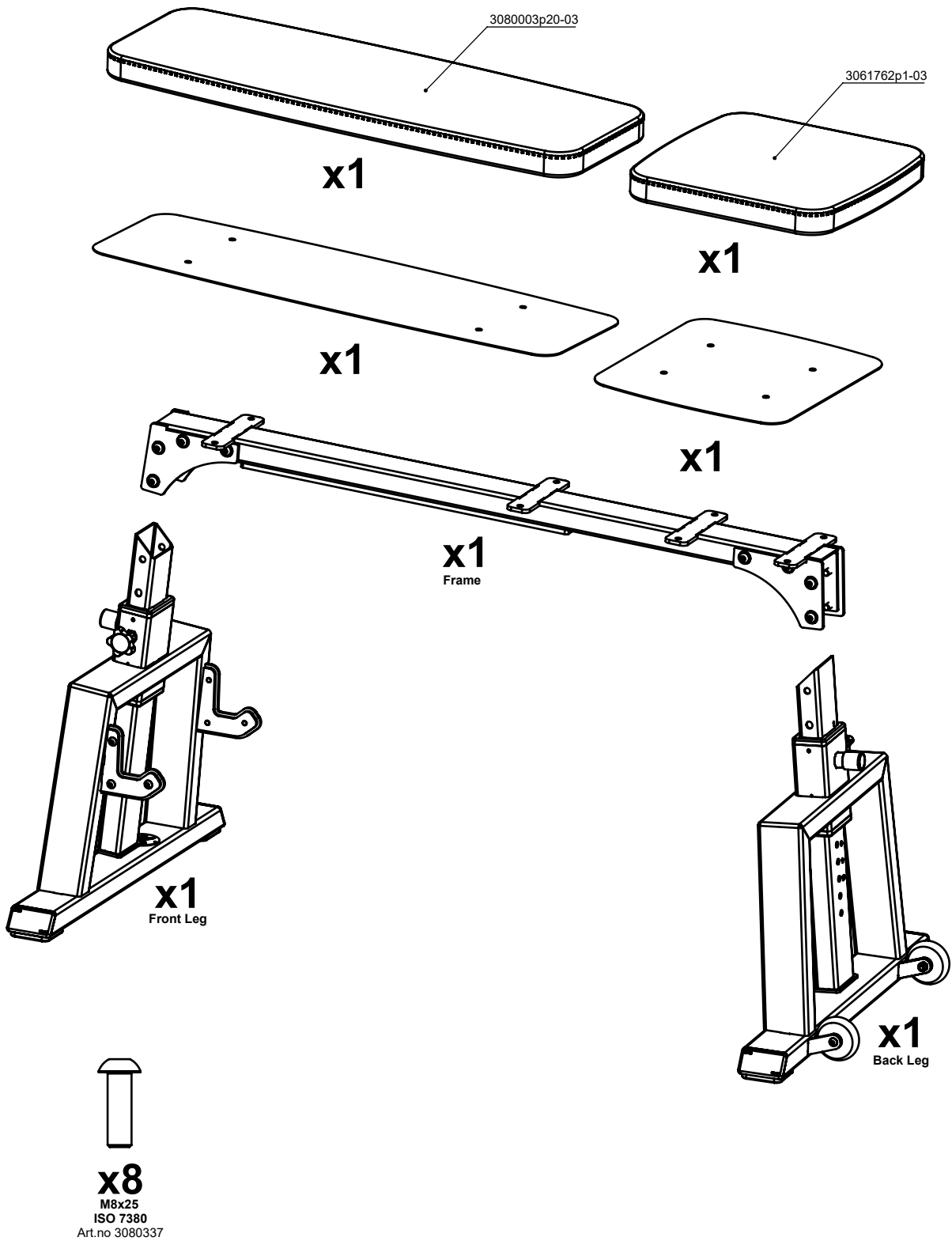
Product weight	51.5 kg / 110 lbs
Max user weight	150 kg / 331 lbs
Max training weight	350 kg / 772 lbs
Dimensions (L x W x H)	1455x705x(Adjustable 570-870 mm) 58"x28x(Adjustable 23"-34")

FOOTPRINT AREA

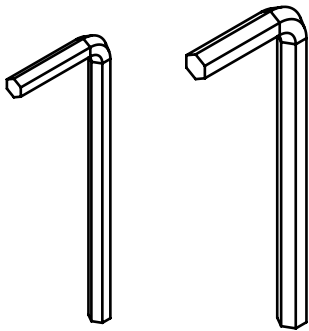


ELEIKO

CONTENTS



REQUIRED TOOLS



Allen Key
6 mm (M8)

Allen Key
8 mm (M10)

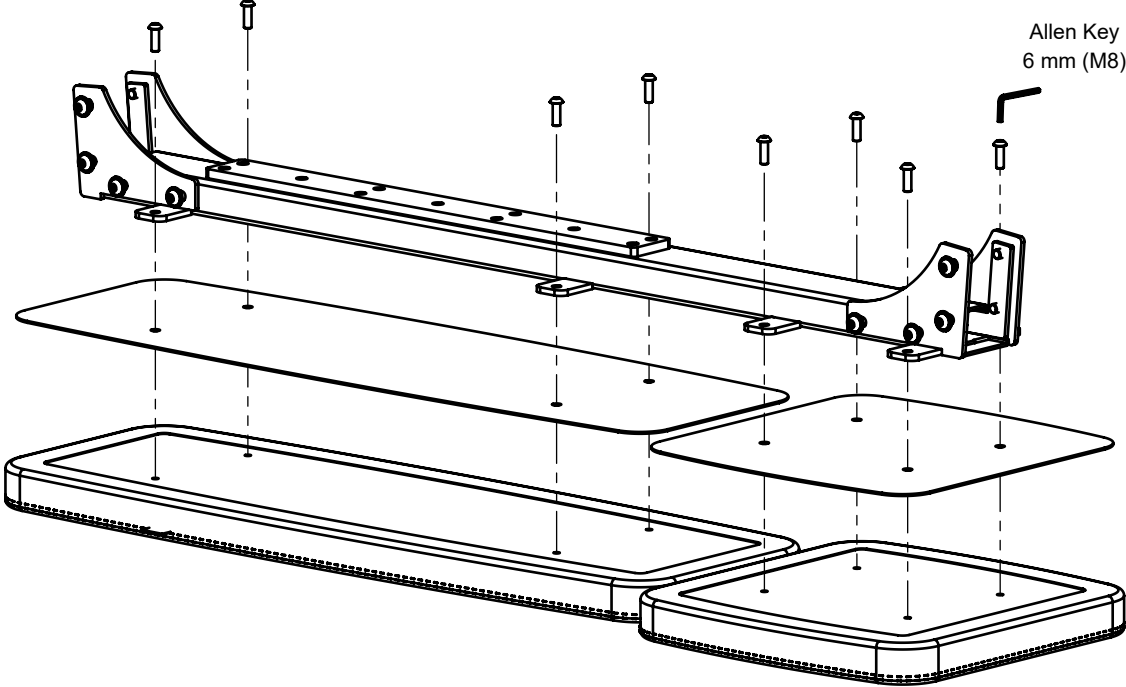
GENERAL

The table below is general torque to use for different threads. Use these torques, if nothing else is set. Below numbers are for screw/nut of quality 8.8.

THREAD	TORQUE (Nm / ftlb) Quality 8.8
M4	2,9 / 2,1
M5	5,7 / 4,2
M6	9,8 / 7,2
M8	24 / 17,7
M10	47 / 34,7
M12	81 / 59,7
M14	128 / 94,4
M16	197 / 145,3
M18	275 / 202,8
M20	385 / 284

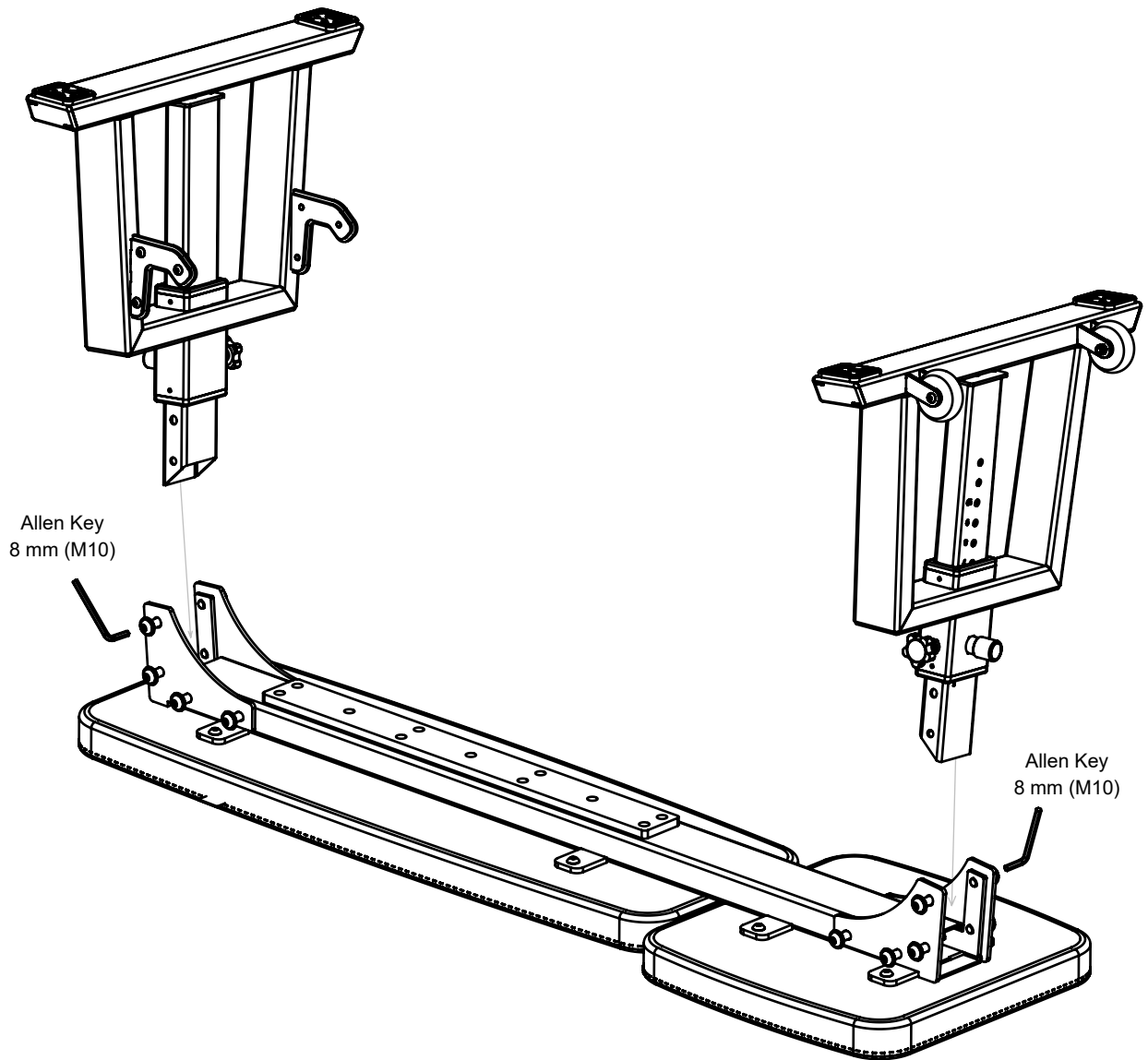
ASSEMBLY INSTRUCTIONS

1.



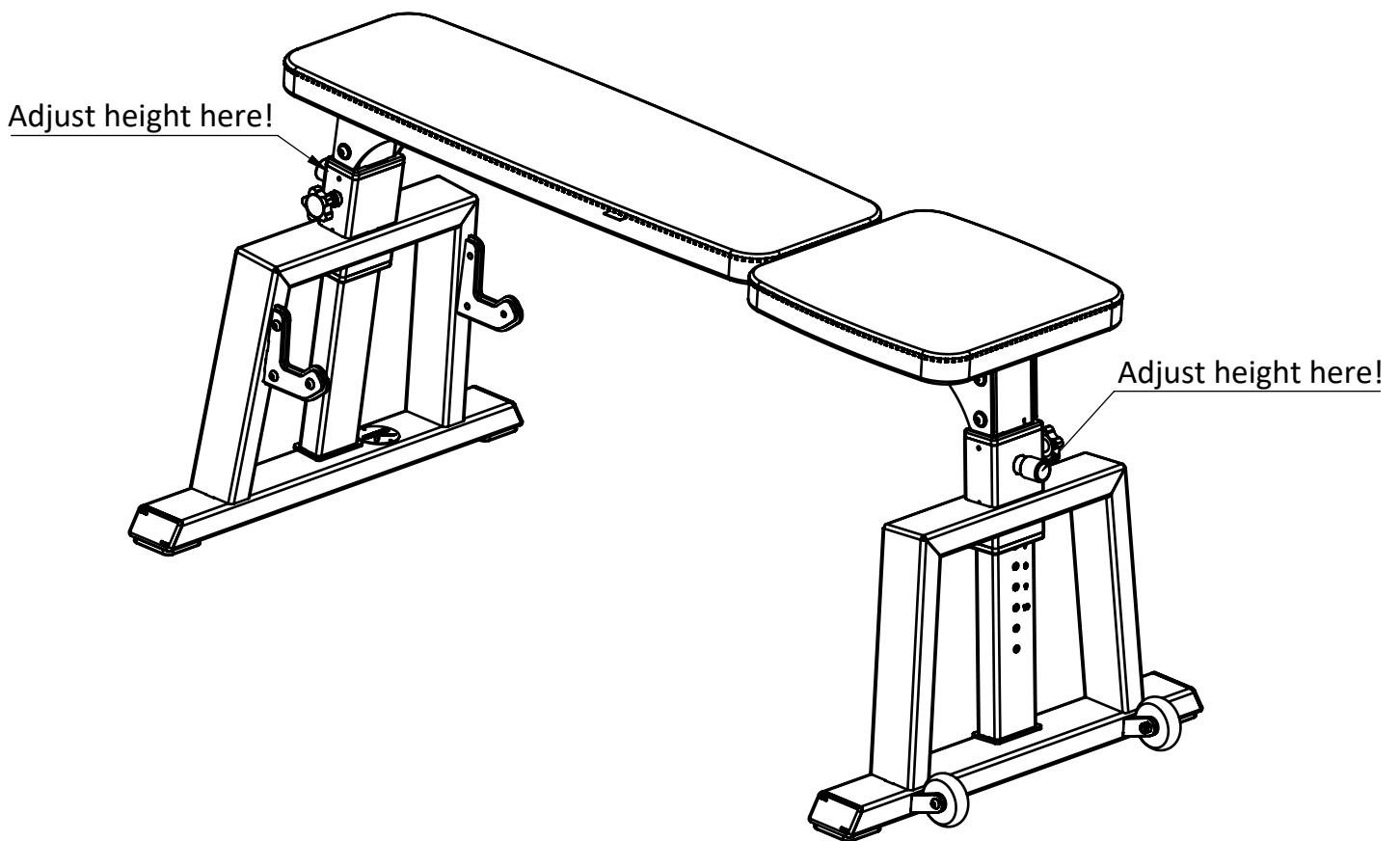

x8
M8x25
ISO 7380
Art.no 3080337

2.



Slide the front and back leg over the I-brackets and then tighten all 16 bolts!

3.



ELEIKO

RAISE THE BAR

Eleiko Group AB | Klastorpsvägen 18 | SE-302 62 HALMSTAD | Sweden
E-mail: info@eleiko.com | Phone: +46 35 17 70 70

www.eleiko.com