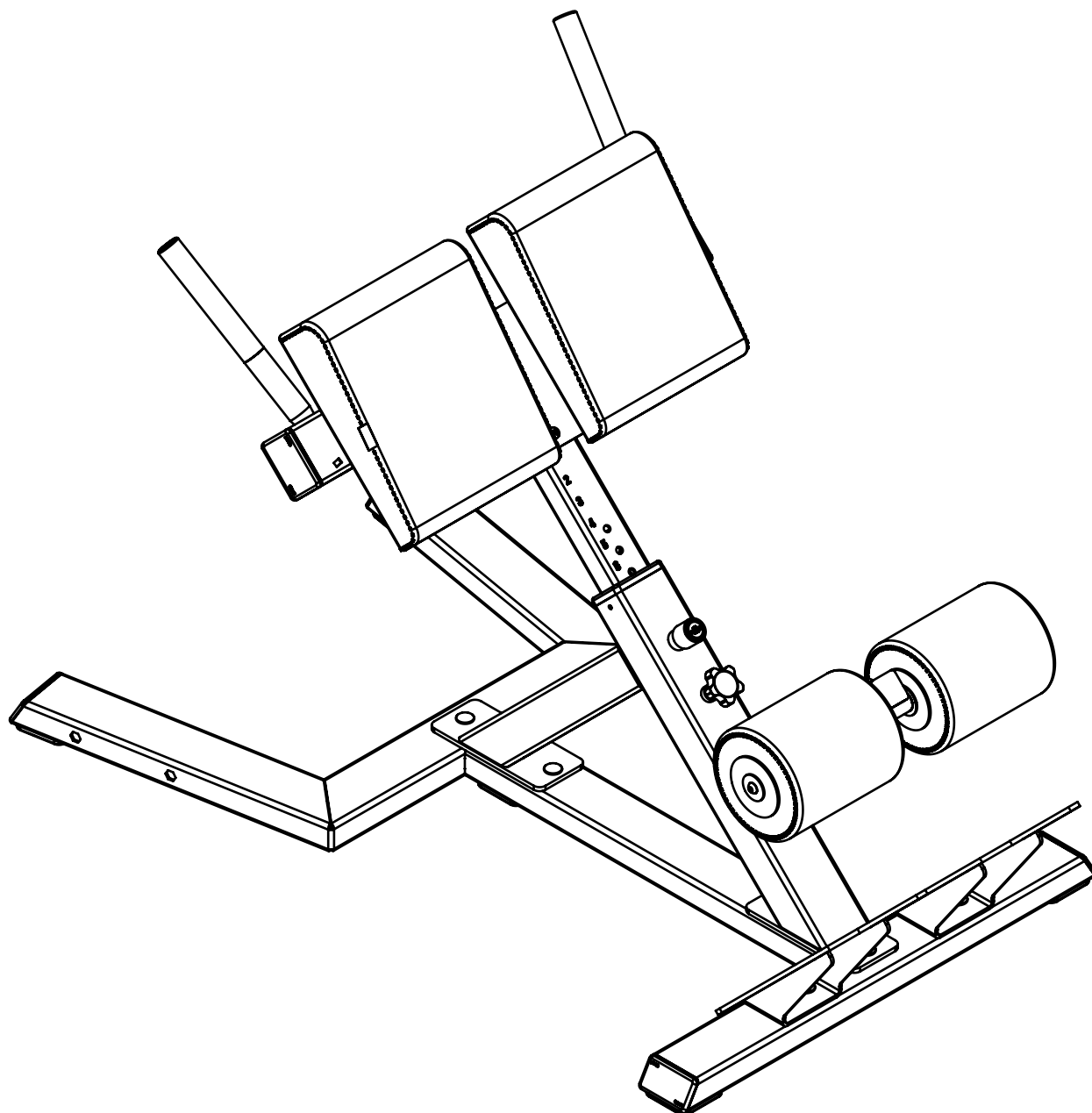


ELEIKO INCLINE HYPER EXTENSION

Art. no. 3080006



READ BEFORE INSTALLATION AND USE

CAUTION

The equipment must be installed and used in a place whose access and supervision are specifically controlled by the owner.

Be sure to install the equipment on a stable base and properly level the equipment. ELEIKO recommends that all equipment is secured to floor and installed by a licensed contractor or an ELEIKO-installer.

SAFETY INSTRUCTIONS

It is the responsibility of the purchaser of ELEIKO products to instruct all users and supervising personnel on proper usage of the equipment.

1. All included warnings (labels) and instructions MUST be read before the use of any ELEIKO-equipment. Use each equipment as it is intended for.
2. A user MUST get a medical examination and proper instructions before the use of any ELEIKO-equipment.
3. DO NOT let anyone, under any circumstances, use equipment that appears to be damaged. Do not try to repair any equipment before consulting an ELEIKO technician.
4. DO NOT replace the components of ELEIKO-equipment with other none ELEIKO-equipment (magnetic safety pin, frames, bars), do not improvise. If there are any doubts consult an ELEIKO representative prior to any intervention.
5. DO NOT overload the equipment and DO NOT try to exceed personal strength levels.
6. Keep children under the age of 14 away from the equipment and teenagers must be supervised.
7. DO NOT remove any safety labels from the ELEIKO-equipment. ELEIKO is not responsible if a label is removed. Replace damaged labels immediately.

PREVENTITIVE MAINTENANCE & INSPECTIONS

WEEKLY:

Clean the surfaces on frames and tubes from dust and dirt.

Check that all bolts between parts, walls, floors are properly tightened, according to recommendations.

WARRANTY

All products manufactured by ELEIKO Inc. are warranted to the original purchaser to be free from defects in workmanship and / or materials under normal use as follows:
5 years on welds on structural frame (NOT on moving parts)

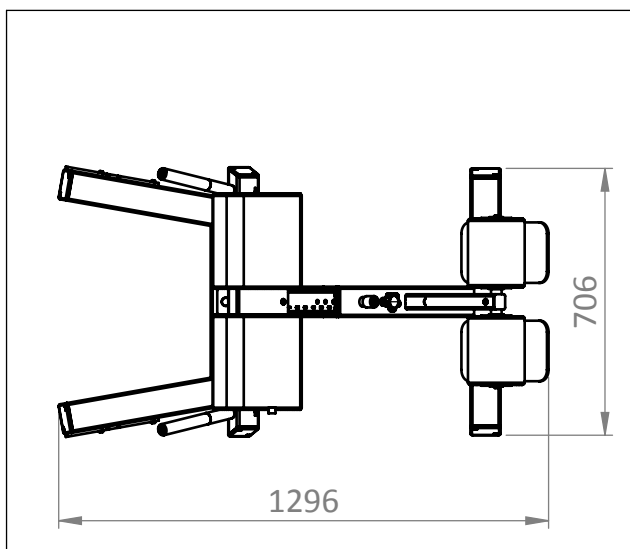
ADDITIONAL INFORMATION

This equipment is for indoor use only.

PRODUCT SPECIFICATIONS

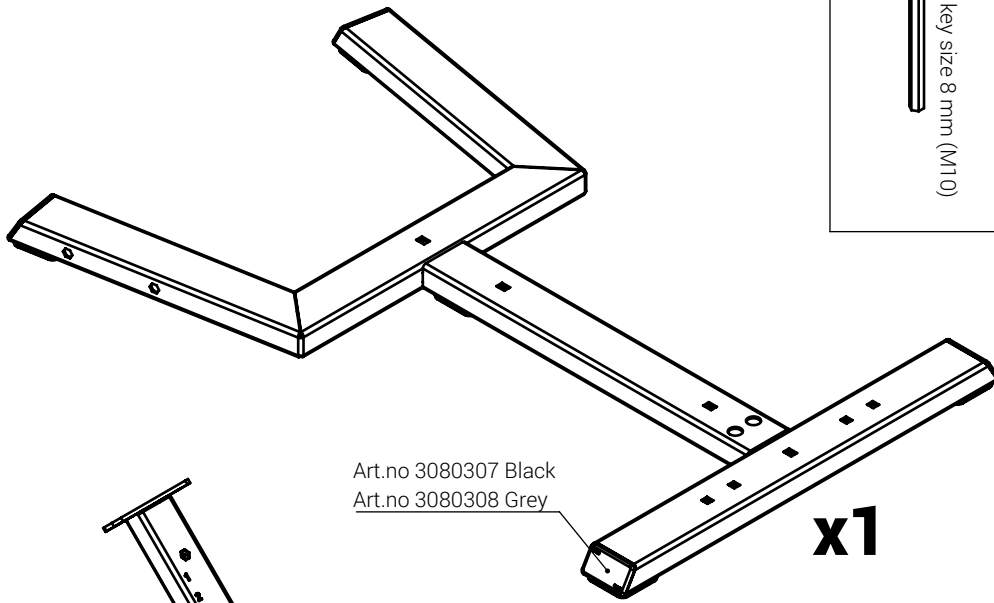
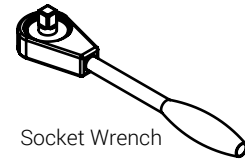
| | |
|------------------------|--|
| Product weight | 40 kg / 88 lbs |
| Max user weight | --- |
| Max training weight | 350 kg / 441 lbs |
| Dimensions (L x W x H) | 1296 x 706 x 900 mm / 51" x 28" x 35" |

FOOTPRINT AREA

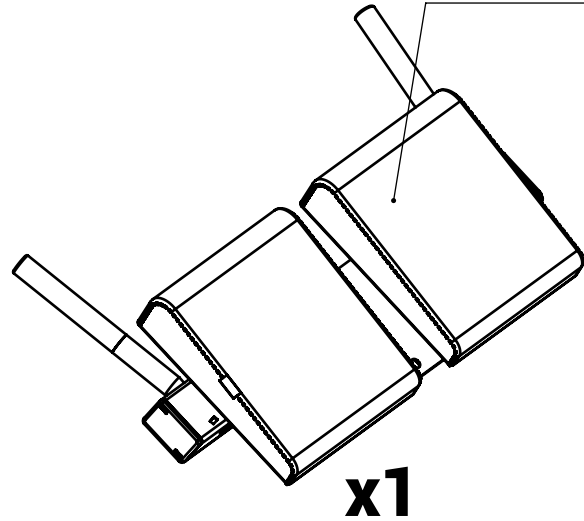
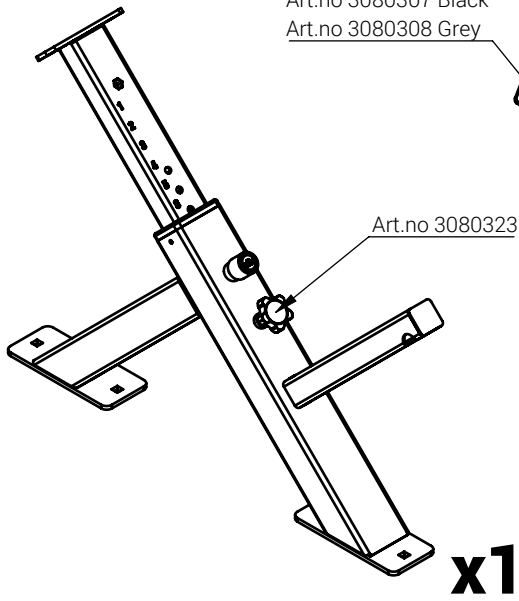


CONTENTS

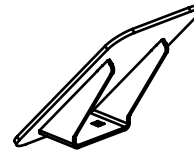
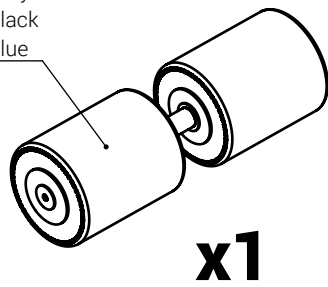
Required tools:



- Art.no 3080321-02 Grey
- Art.no 3080321-02L Grey with tag
- Art.no 3080321-03 Black
- Art.no 3080321-03L Black with tag
- Art.no 3080321-04 Blue
- Art.no 3080321-04L Blue with tag



- Art.no 3080315-02 Grey
- Art.no 3080315-03 Black
- Art.no 3080315-04 Blue



Art.no 3080322



x8

M10x30
DIN 603
Art.no 3080334



x8

M10 Washer
DIN 9021
Art.no 3080331



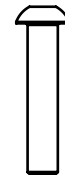
x8

M10 Nut
DIN 985
Art.no 3080330



x3

M10x25
DIN 7380
Art.no 3080335

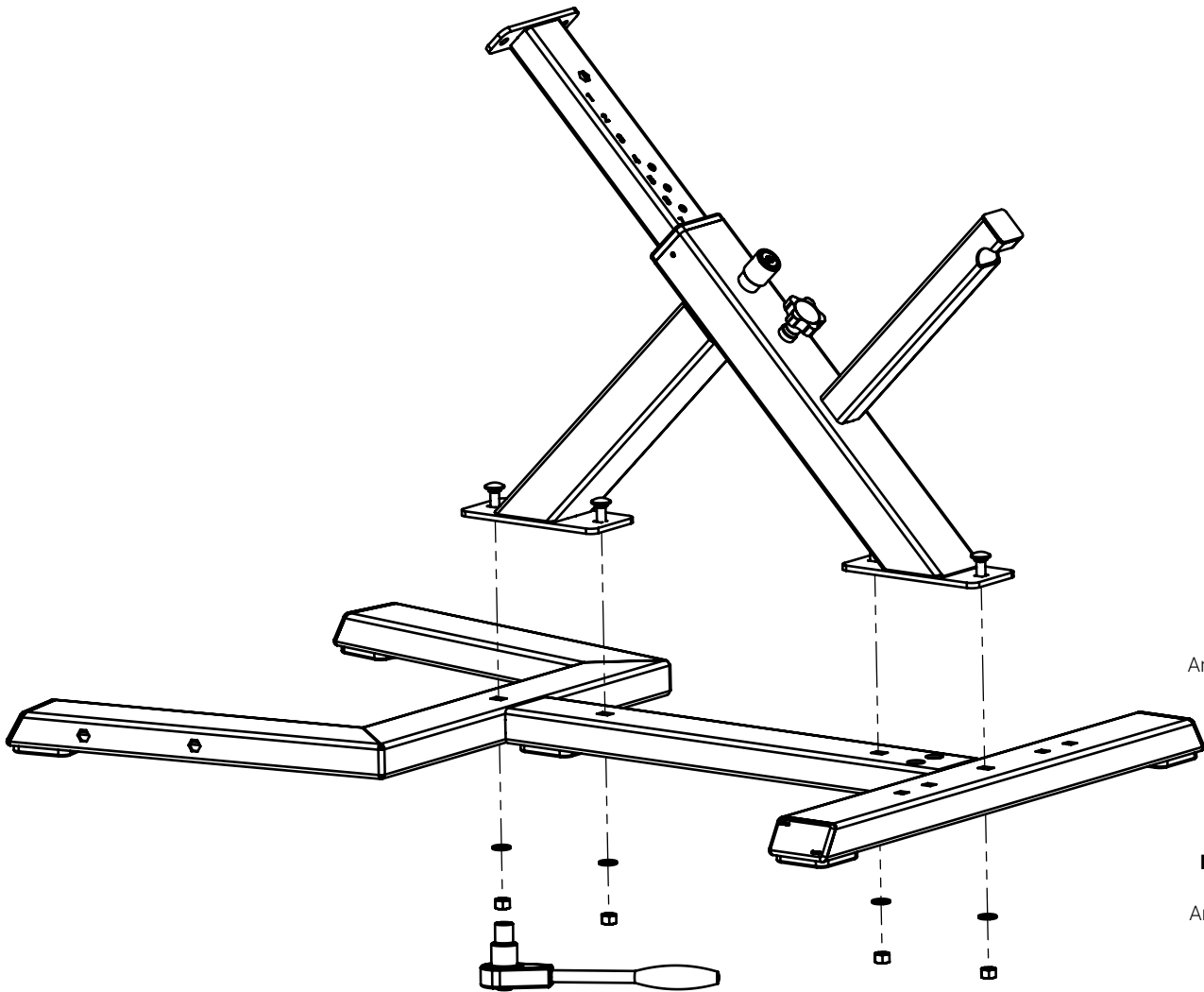
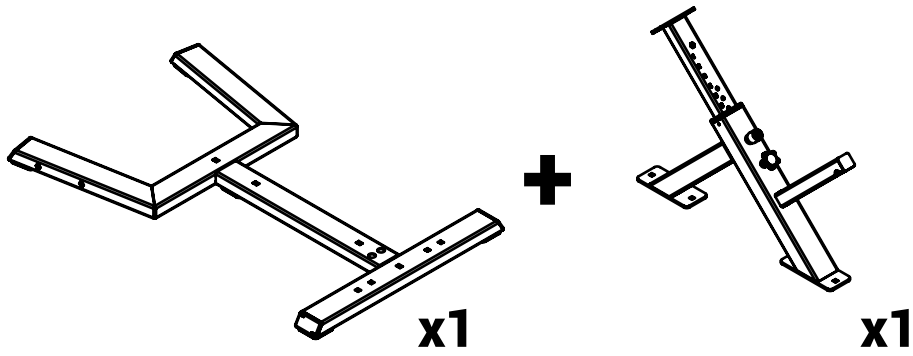


x1

M10x40
DIN 7380
Art.no 3080337

ASSEMBLY INSTRUCTIONS

1.



Socket wrench + socket 17 mm (M10)



x4

M10x30
DIN 603

Art.no 3080334



x4

M10 Washer
DIN 9021
Art.no 3080331

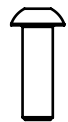
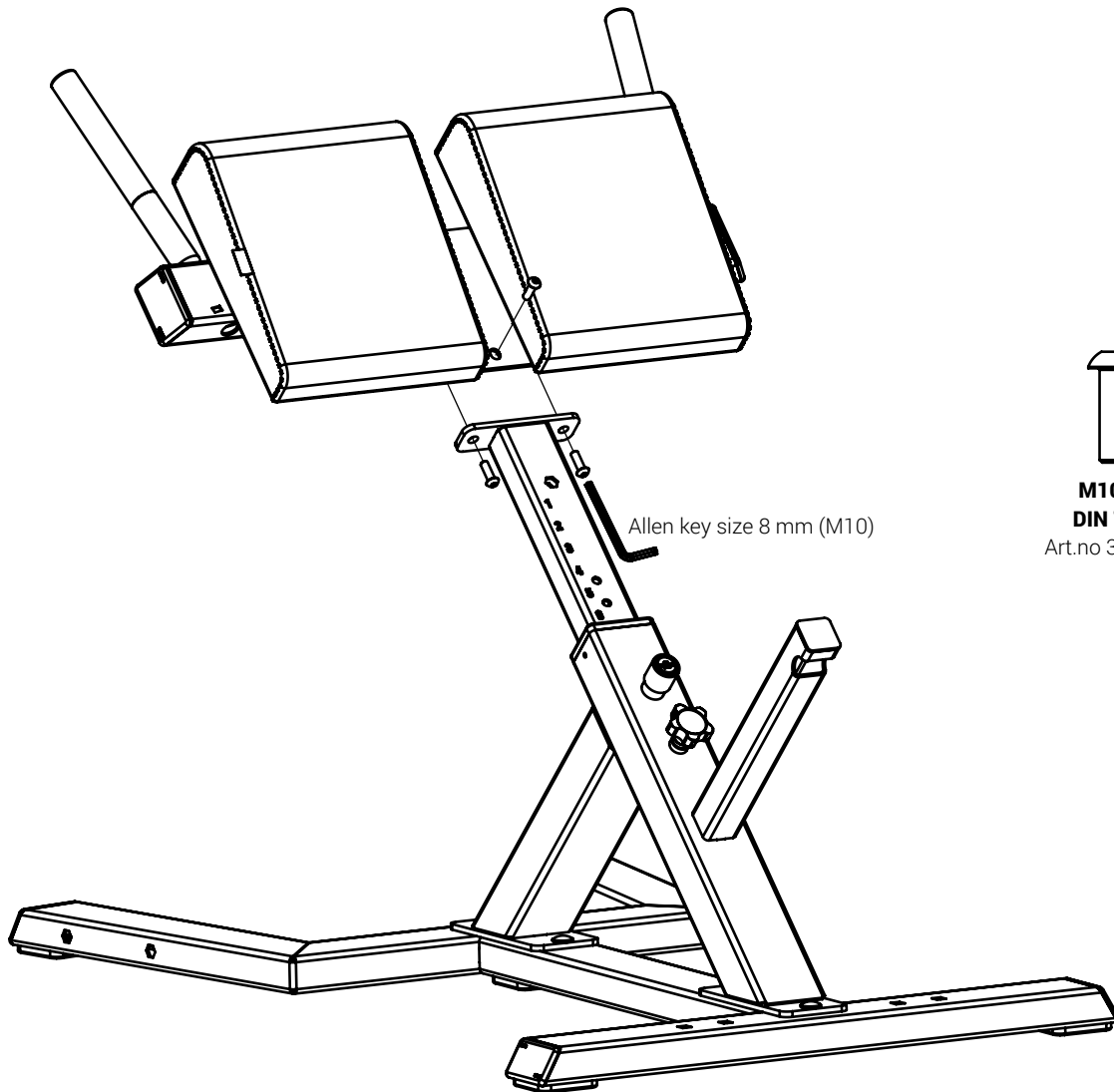
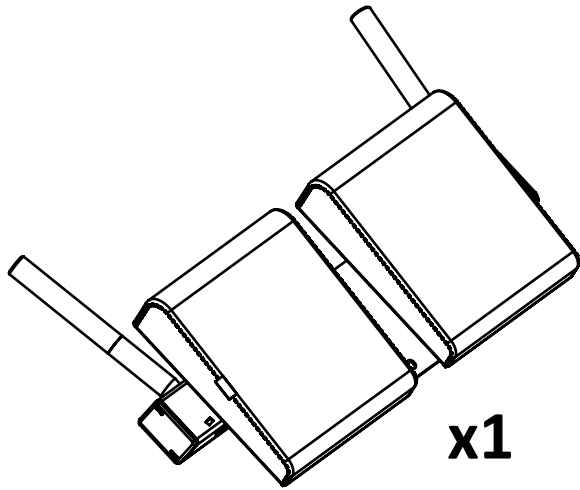


x4

M10 Nut
DIN 985
Art.no 3080330

ASSEMBLY INSTRUCTIONS

2

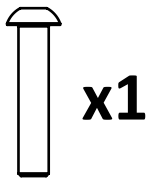
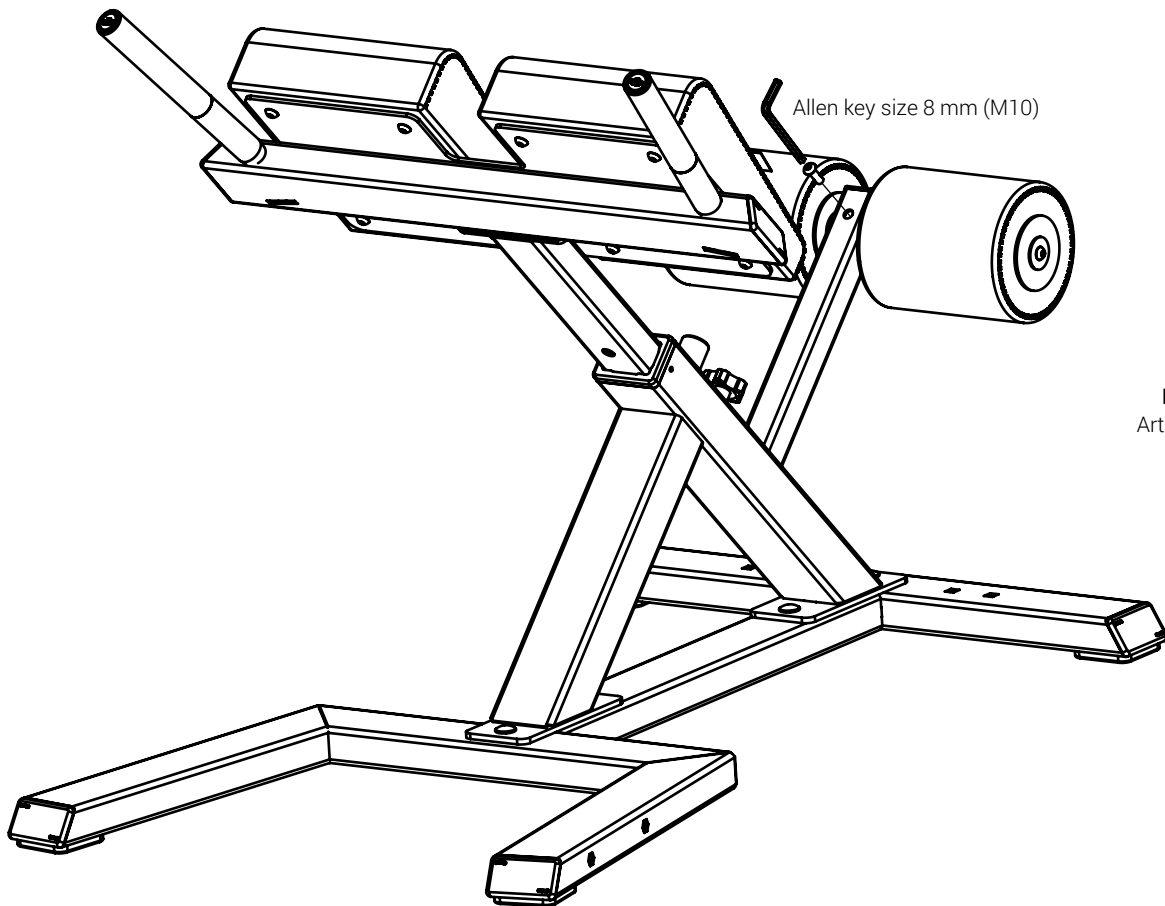
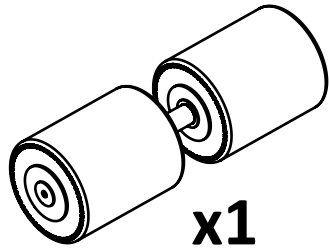


x3

M10x25
DIN 7380
Art.no 3080335

ASSEMBLY INSTRUCTIONS

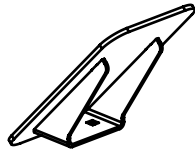
3



M10x40
DIN 7380
Art.no 3080337

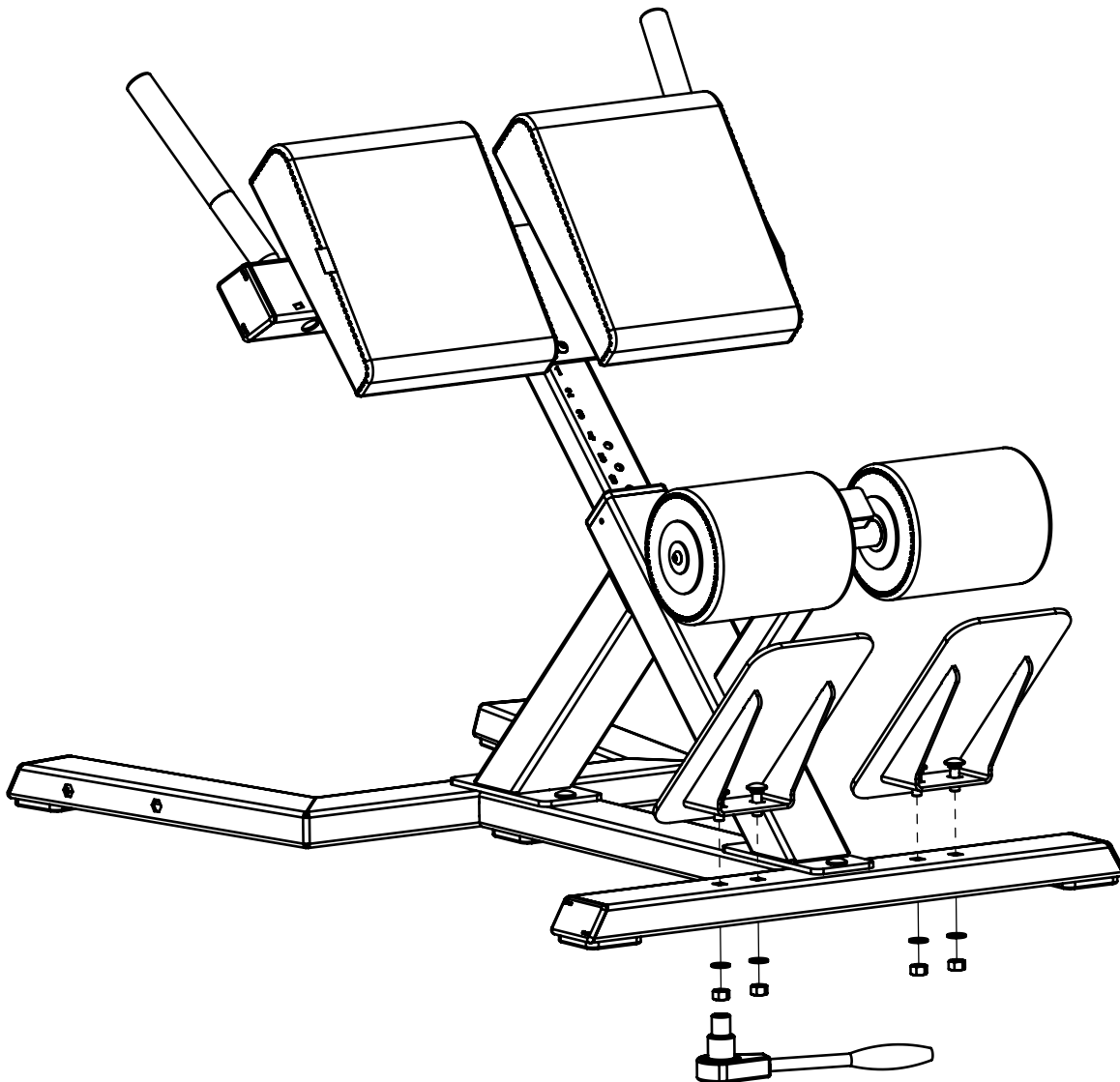
ASSEMBLY INSTRUCTIONS

4

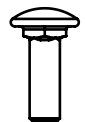


x2

Art.no 3080322



Socket wrench + socket 17 mm (M10)



x4

**M10x30
DIN 603**

Art.no 3080334



x4

**M10 Washer
DIN 9021**
Art.no 3080331

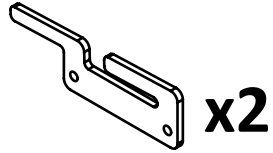


x4

**M10 Nut
DIN 985**
Art.no 3080330

ASSEMBLY INSTRUCTIONS OF 3080011-202 (SOLD SEPARATELY AS AN ACCESSORY)

5



3080011-202 Pair

