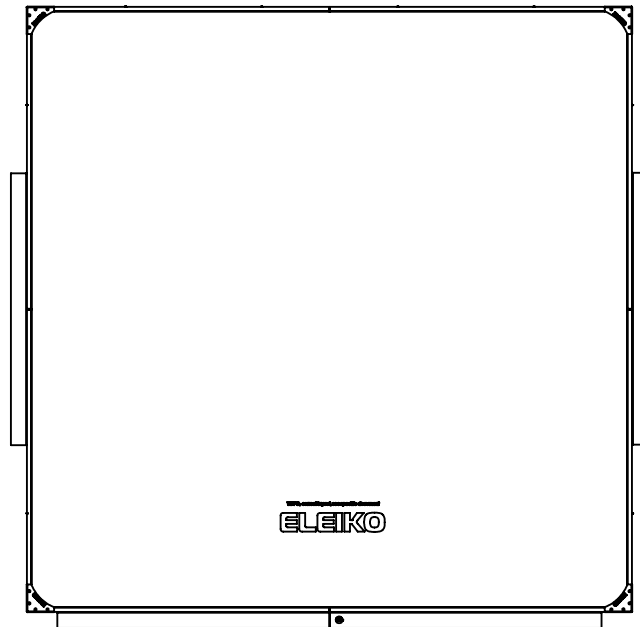


Eleiko WPPO Powerlifting Competition Platform - 4 x 4 m

Art.nr 3061189-xxx



ELEIKO

READ BEFORE INSTALLATION AND USE

CAUTION

The equipment must be installed and used in a place whose access and supervision are specifically controlled by the owner.

Be sure to install the equipment on a stable base and properly level the equipment. ELEIKO recommends that all equipment is installed by a licensed contractor or an ELEIKO-installer.

SAFETY INSTRUCTIONS

It is the responsibility of the purchaser of ELEIKO products to instruct all users and supervising personnel on proper usage of the equipment.

1. All included warnings (labels) and instructions **MUST** be read before the use of any ELEIKO-equipment. Use each equipment as it is intended for.
2. A user **MUST** get a medical examination and proper instructions before the use of any ELEIKO-equipment.
3. **DO NOT** let anyone, under any circumstances, use equipment that appears to be damaged. Do not try to repair any equipment before consulting an ELEIKO technician.
4. **DO NOT** replace the components of ELEIKO-equipment with other none ELEIKO-equipment (magnetic safety pin, frames, bars), do not improvise. If there are any doubts consult an ELEIKO representative prior to any intervention.
5. **DO NOT** overload the equipment and **DO NOT** try to exceed personal strength levels.
6. Children under the age of 14 must be supervised by an adult.
7. **DO NOT** remove any safety labels from the ELEIKO-equipment. ELEIKO is not responsible if a label is removed. Replace damaged labels immediately.

PREVENTITIVE MAINTENANCE & INSPECTIONS

DAILY:

Clean the surfaces on frames and tubes from dust and dirt. Vacuum clean textile. Check that all bolts are properly tightened, according to recommendations.

REGULARLY:

Clean the surfaces on frames and tubes from dust and dirt. Check that all bolts between parts are properly tightened, according to recommendations.

WARRANTY

All products manufactured by ELEIKO are warranted to the original purchaser to be free from defects in workmanship and / or materials under normal use or service as follows: 5 years
Normal wear and tear does not fall under the warranty.

ADDITIONAL INFORMATION

This equipment is for indoor use only.

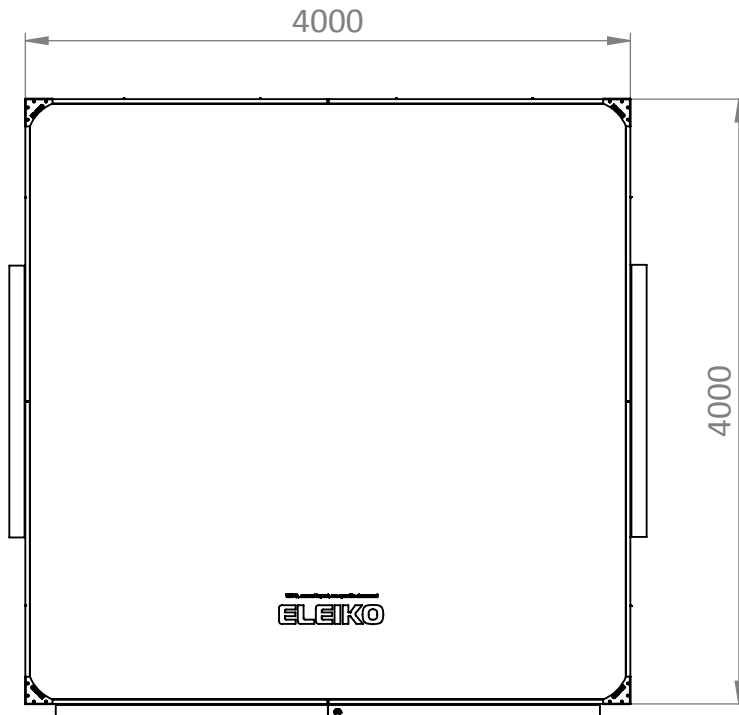
ELEIKO

PRODUCT SPECIFICATIONS

This product is used for WPP0 powerlifting Bench press, competition and training.

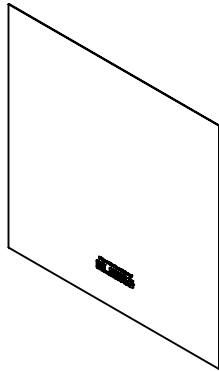
Product weight	278 kg
Dimensions (L x W x H)	4000x4000x30

FOOTPRINT AREA



Add sufficient clearance, not less than 0,6 m, on all sides. Taking into account the accessibility to remove and replace bar and weights.

CONTENTS



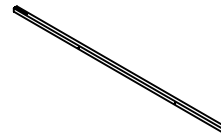
x1

Textile carpet 4x4 m
Art no: 3002108-01



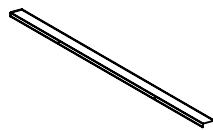
x8

Plywood
Art no:3002107



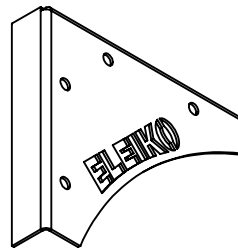
x8

Steel tube



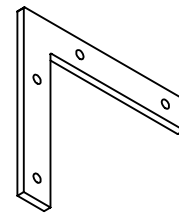
x4

Ramp



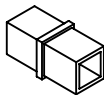
x4

Corner



x4

Bracket



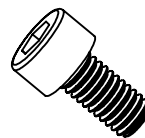
x4

Plastic extension



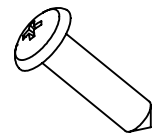
x16

Screw M8x12
Art no: 2000747-L12



x8

Screw M6x12
Art no:2000863-L12



x4

Wood Screw 4x45



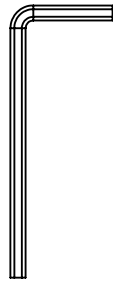
x1

Tape, double
sided
Art no: 3001973

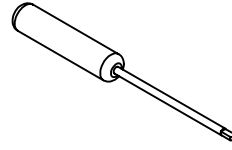
REQUIRED TOOLS



Allen key 5 mm



Allen key 4 mm



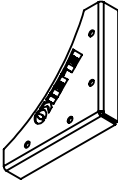
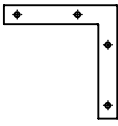

Screw driver, phillips

GENERAL

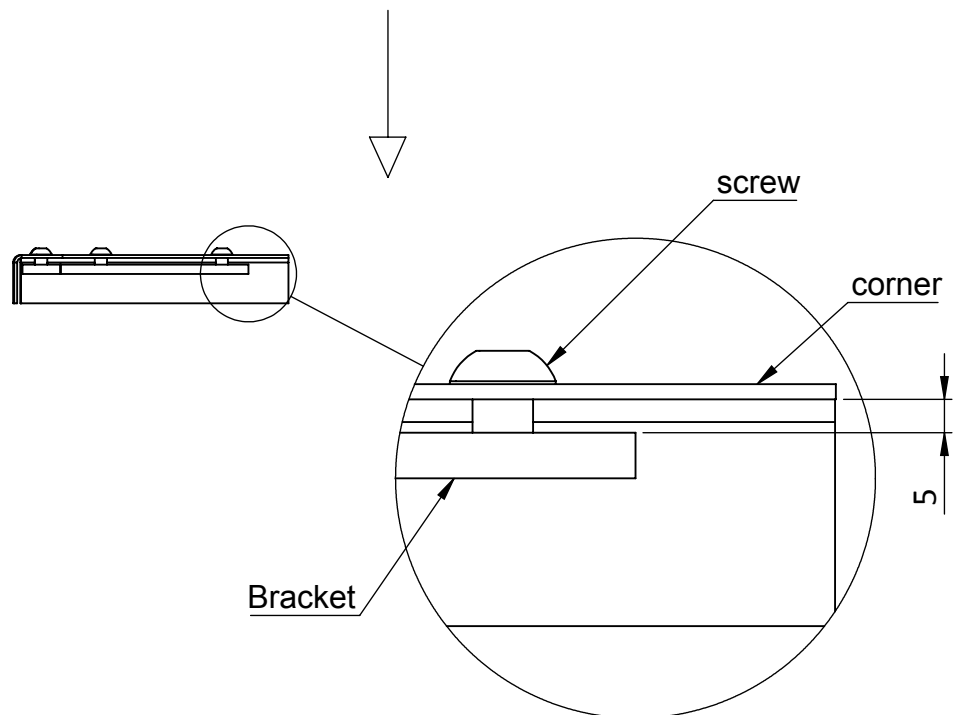
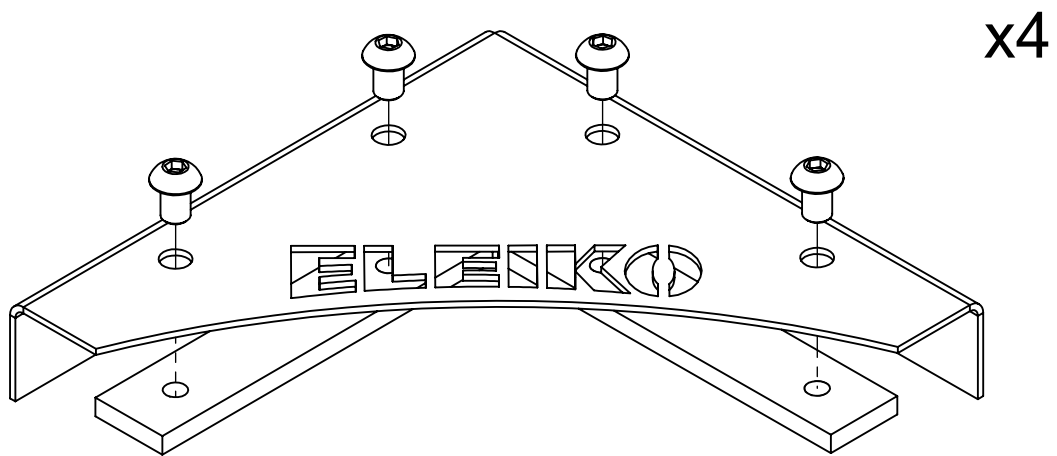
The table below is general torque to use for different threads. Use these torques, if nothing else is set. Below numbers are for screw/nut of quality 8.8.

THREAD	TORQUE (Nm / ftlb) Quality 8.8
M8	24 / 17,7
M6	9,8/72

ASSEMBLY INSTRUCTIONS

1. **x4** **x4** **x16**
-  corner
-  bracket
-  screw M8x12
-

2.



ELEIKO

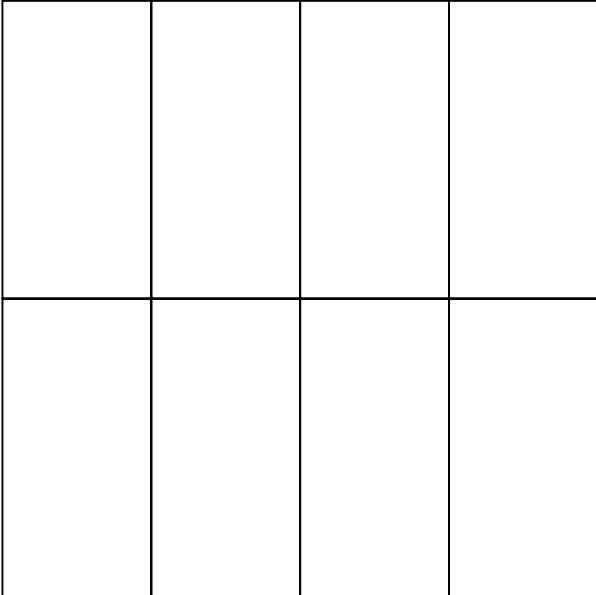
ASSEMBLY INSTRUCTIONS

x8

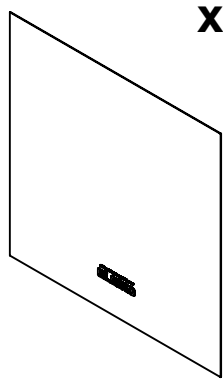


plywood

3.



ASSEMBLY INSTRUCTIONS



x1

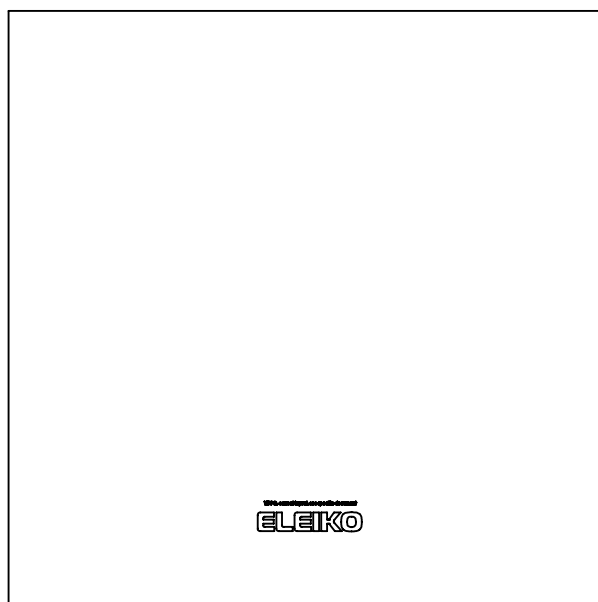
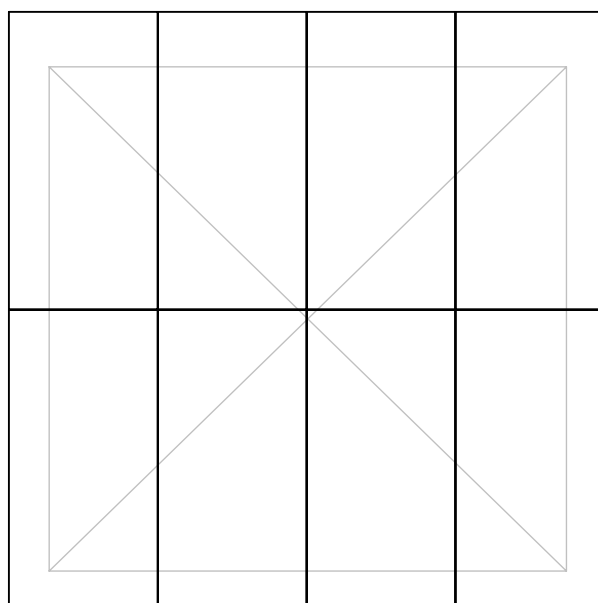
Carpet, textile 4x4 m



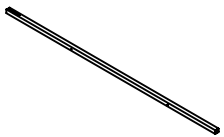
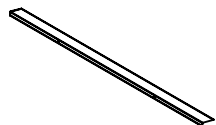
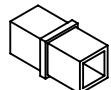
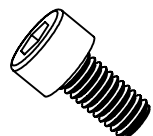
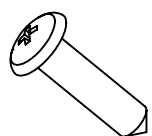
x1

tape, double sided

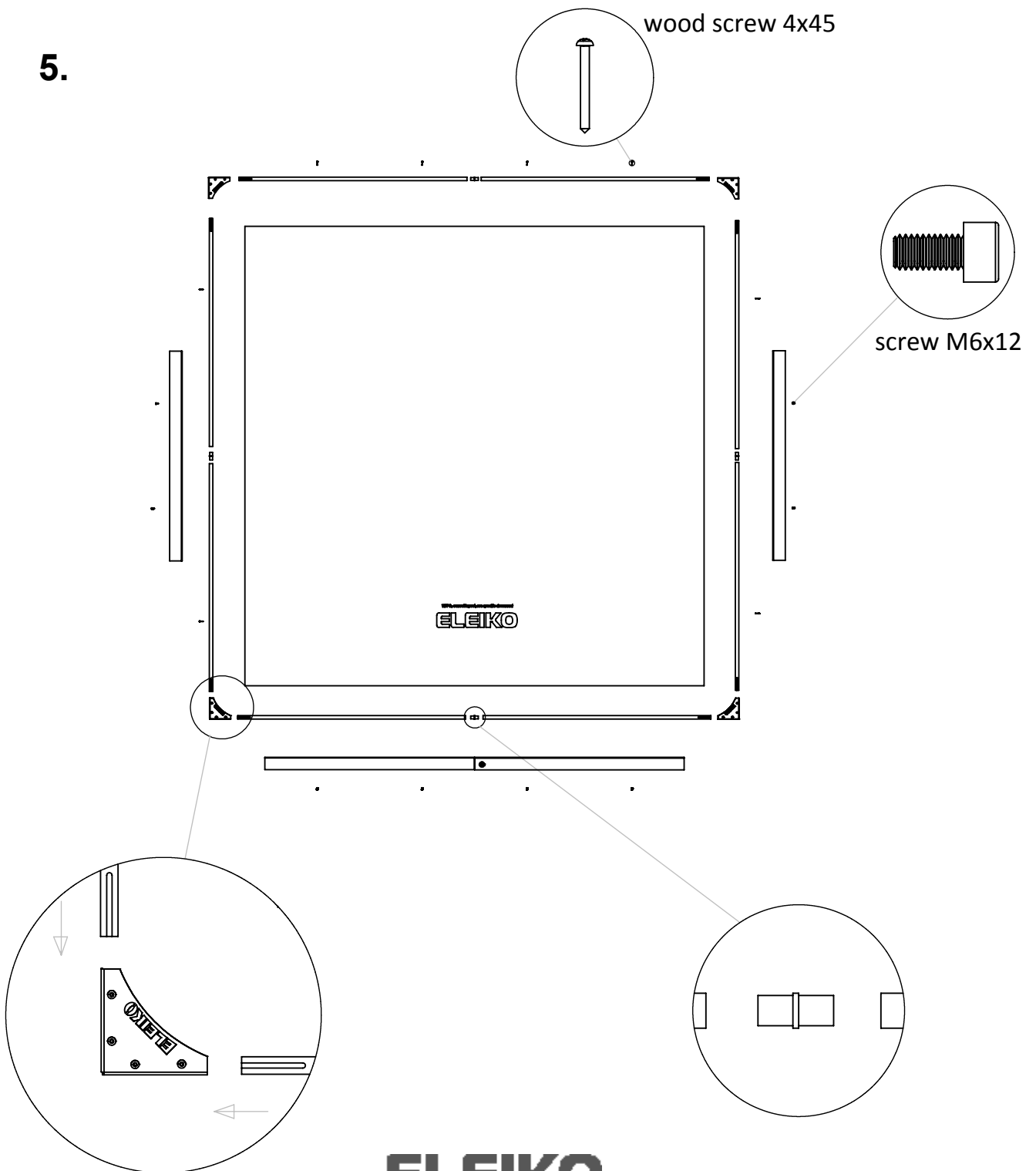
4.

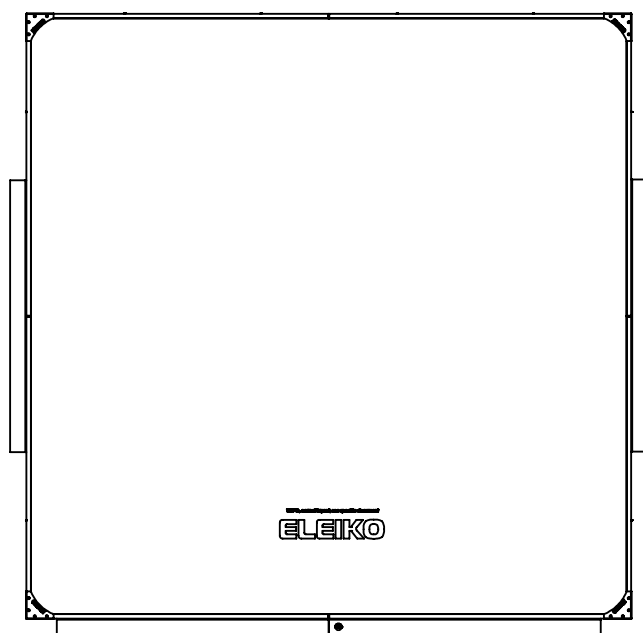


ASSEMBLY INSTRUCTIONS

- x8**

Steel tube
- x4**

Ramp
- x4**

Plastic extension
- x8**

Screw M6x12
- x8**

Wood Screw 4x45

5.





ELEIKO



Eleiko Group AB | Klastorpsvägen 18 | SE-302 62 HALMSTAD | Sweden
E-mail: info@eleiko.com | Phone: +46 35 17 70 70

www.eleiko.com