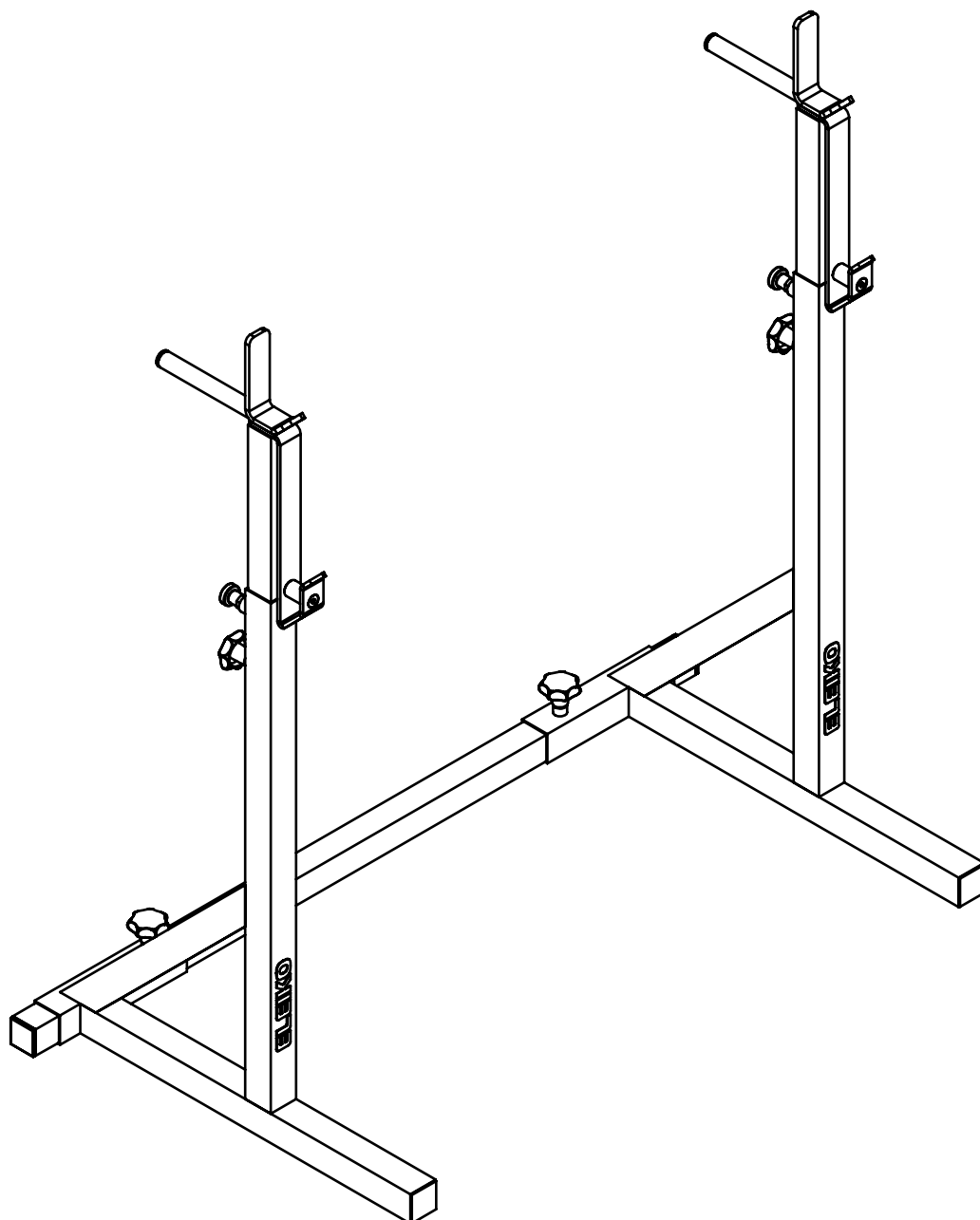
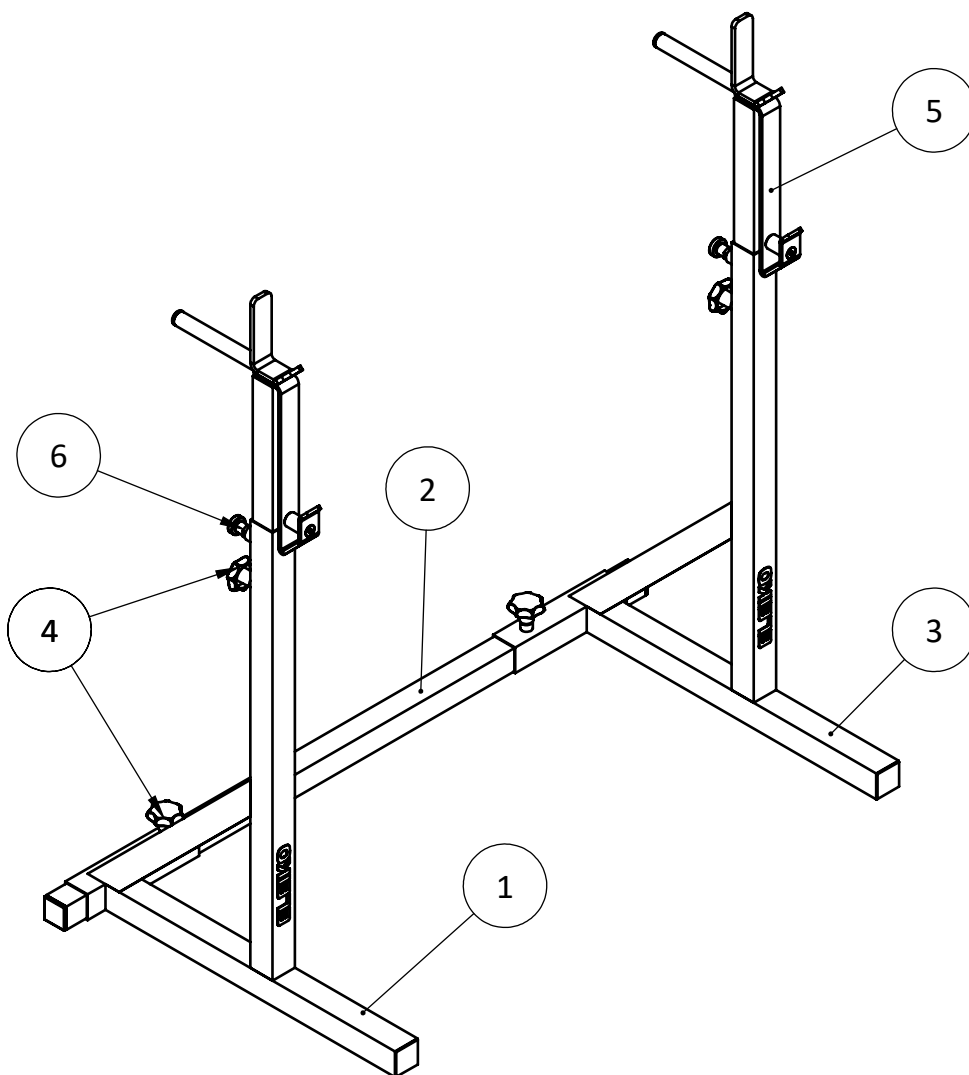


adjustable squat rack

3000196



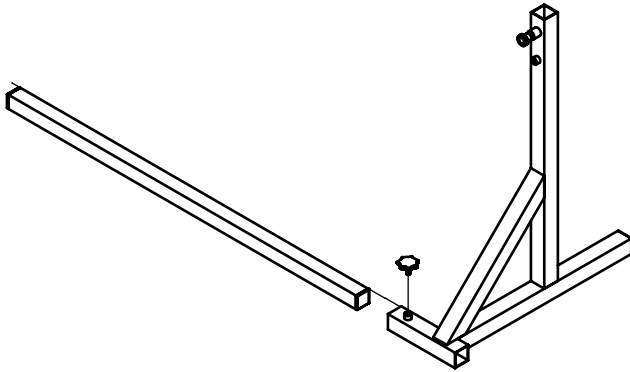
contents



POS.	DESCRIPTION	ART. NO	QTY.
1	Left leg Squat Rack	3061475	1
2	Center Beam Squat Rack	3061476	1
3	Right leg Squat Rack	3061474	1
4	Knob outside thread	3061970	4
5	Barbell Support Squat Rack	3001387	2
6	Plunger pin	RPP-FW0001	2

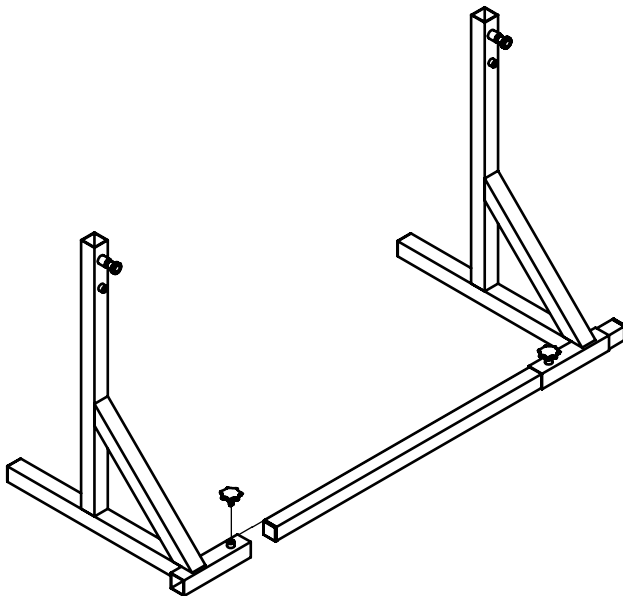
assembly instructions

1.



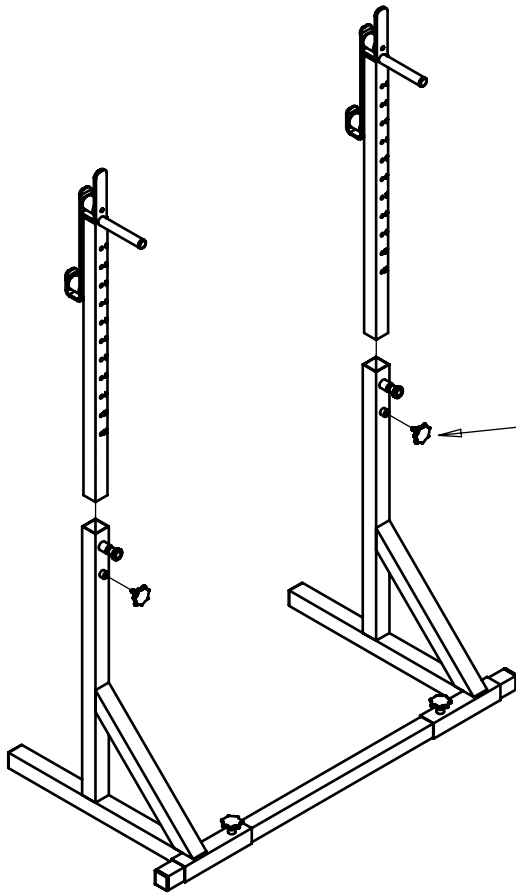
Assemble **Centre Beam** with **Left Leg**. Use a **Knob** to fix the parts in desired place.

2.



Assemble **Centre Beam** with **Right Leg**. Use a **Knob** to fix the parts in desired place.

3.



Assemble 2x **Barbell Support** with **Left and Right Leg**. Add **Knobs** to inteded threaded holes to fix the Barbell Supports.