

IMPORTANT! READ BEFORE INSTALLATION!

1. GENERAL INSTALLATION REQUIREMENTS

Make sure the rig is anchored to a solid and leveled floor.

Anchoring bolts to building elements such as; floor and walls are not included. Consult a licensed contractor on choosing the right anchoring fasteners.

Make sure there are at least 100 mm (3,9 inches) of free space up to the ceiling before raising the rig.

Pretension the bolts before the whole rig is raised and then tighten all bolts with tightening torque 60 Nm for M16-bolts.

At least 2 people are required to perform installation and raising the rig.

It is always the customers responsibility to make sure the equipment is safely installed and anchored/mounted between required parts, floor and walls.

2. INSTALLATION BY ELEIKO-INSTALLERS

If installation has been purchased from **ELEIKO** there are important preparatory requirements that **MUST** be met before the day of installation.

Make sure all equipment and parts have been delivered and are intact in order to complete the installation.

Information of the premises - what type of floor, type of walls, and height from floor up to ceiling must be shared with **ELEIKO** installers ahead of installation. If there are heating coils in floor, electrical wires in walls or other hidden obstacles, **ELEIKO** installers must be informed about this.

ELEIKO requires a safe work place for our installers and **ELEIKO** will not be held responsible if something is damaged. Personal injuries of **ELEIKO** staff caused by an unsafe work place, the customer will be held responsible. Any obstacle where the rig is being installed must be eliminated.







Make sure the floor is leveled where the rig is being installed.

For wallmounted rigs a pre-attached glulam beam is required before the day of installation. Preferably 400 x 50 x Required Length mm. Consult **ELEIKO** on required length and height placement of such.






On the day of installation! **ELEIKO** installers will bring the required tools and anchoring bolts to building elements. Modification on frames of **ELEIKO**-equipment, due to obstacles, will not be performed **ELEIKO** installers on the day of installation.

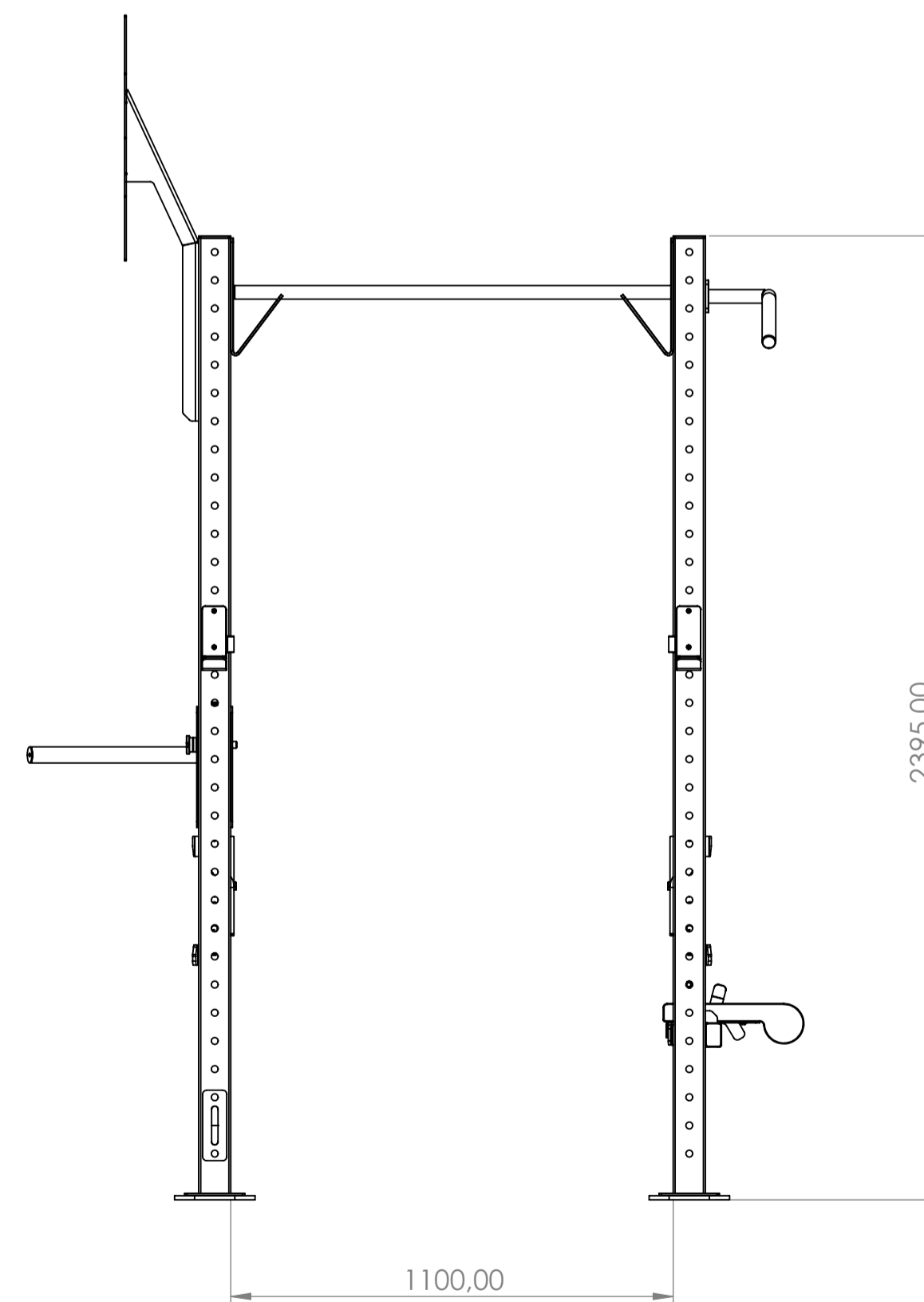
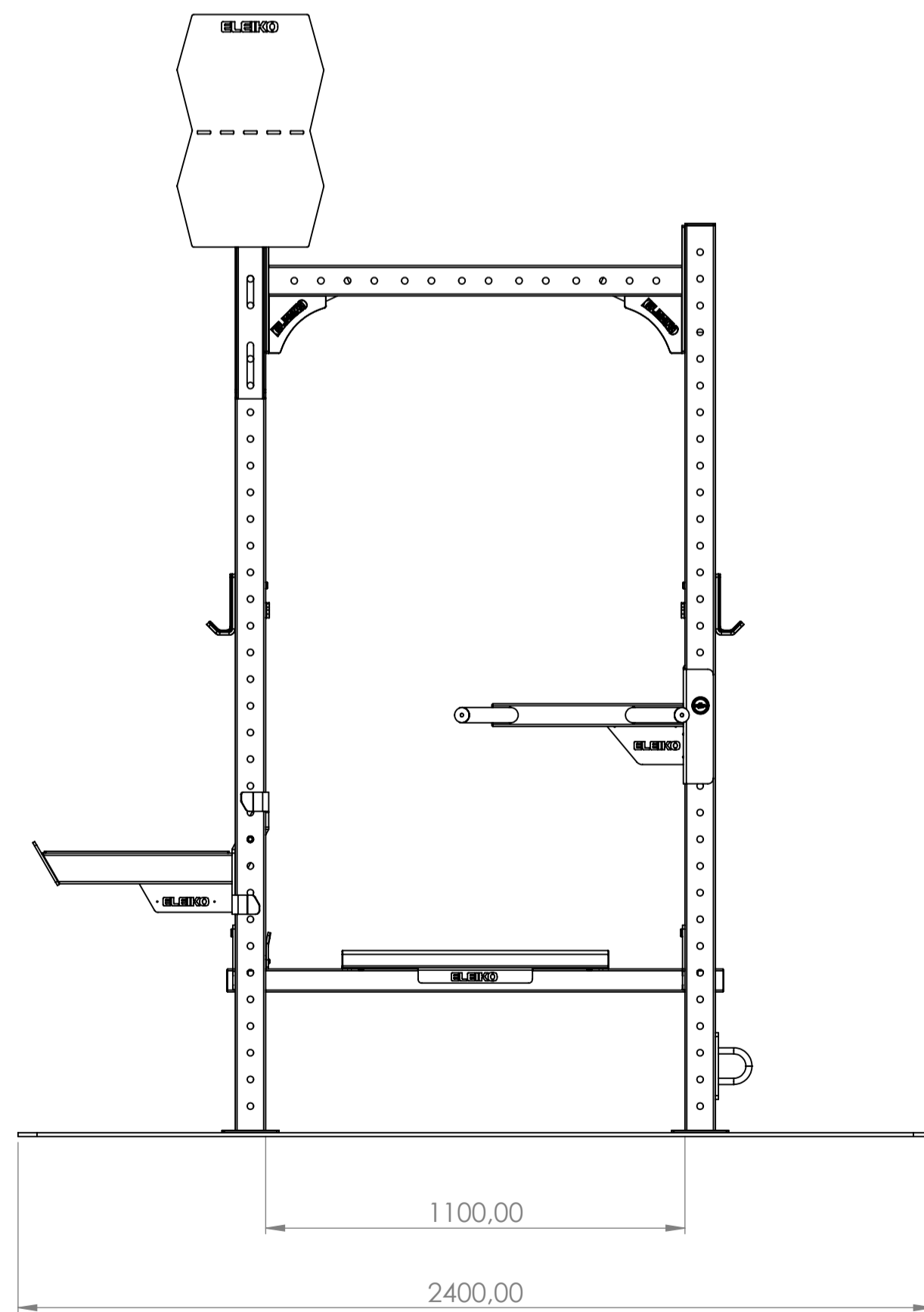
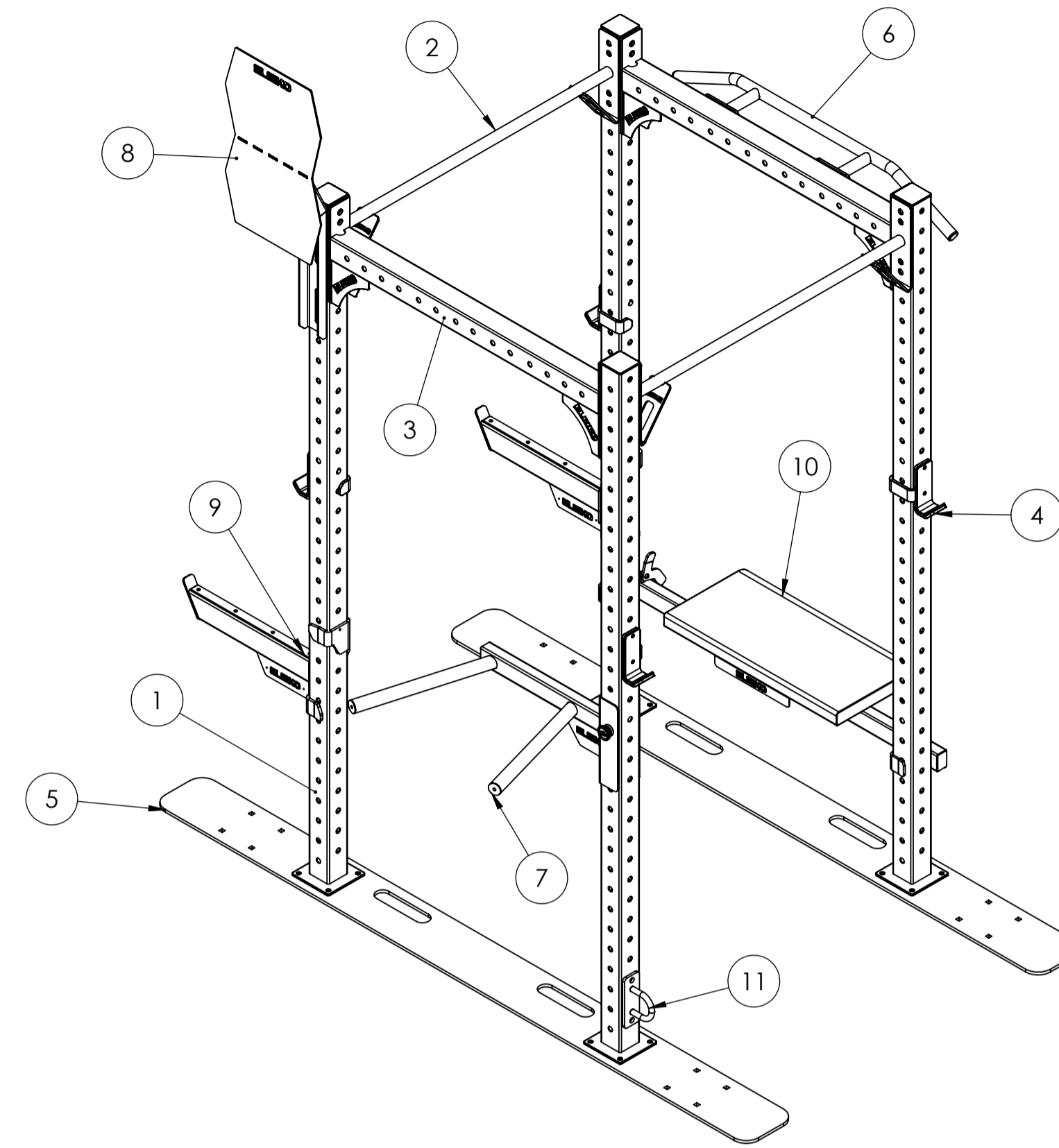
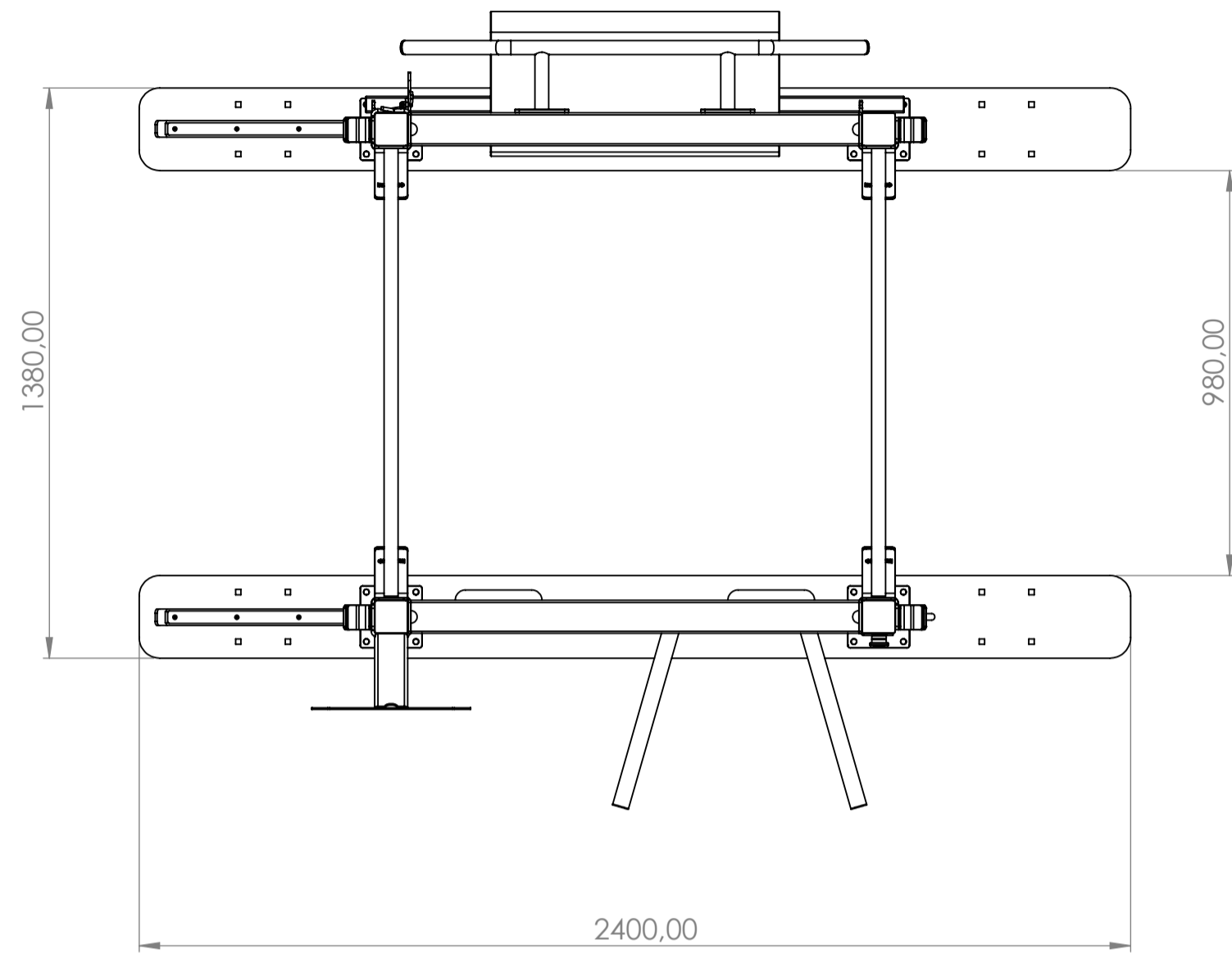
ELEIKO installers will only install equipment that is under the sales agreement. **ELEIKO** will not take any responsibility whatsoever of work outside the contract/agreement.

3. REQUIRED TOOLS

M16 Spanner (Wrench Size: 24 mm)	Screwdriver with sleeve wrench size 24 mm
M16 	
M12 Spanner (Wrench Size: 18 mm)	Screwdriver with sleeve wrench size 18 mm
M12 	
M8 Spanner (Wrench Size: 13 mm)	Screwdriver with sleeve wrench size 13 mm
M8 	

4. RECOMMENDED FASTNERS

Walls	Glulam-beam	Wood-floor	Concrete Floor	Concrete floor with rubber mats 30 mm on top
				
Wood screws for structural wood 12x50 / 12x70	Wood screws for structural wood 12x50 / 12x70	Wood screws for structural wood 12x50 / 12x70	Concrete screw 12,5 x65	Concrete screw 12x110/10 US
JUMBO JETTING Art.no 811250	JUMBO JETTING Art.no 811250	JUMBO JETTING Art.no 811250	EJOT Art.no 905470	FISCHER Art.no 517898



ITEM NO.	ART.NO	DESCRIPTION	QTY.
1	3060284-XX	Eleiko XF 80 Leg XS 2385	4
2	3003112-XX	Eleiko XF 80 Muscle Up Bar 1100	2
3	3003109-XX	Eleiko XF 80 Crossbar 1100	2
4	3003125-XX	Eleiko XF 80 J-Cups (Pair)	2
5	3003123-XX	Eleiko XF 80 Bottom Plate	2
6	3003128-XX	Eleiko XF 80 Chins Handle	1
7	3061808-XX	Eleiko XF 80 Dip Module	1
8	3085142-XX	Eleiko XF 80 WB Target Competition	1
9	3003173-XX	Eleiko XF 80 Safety Arms - Black	1
10	3085143-XX	Eleiko XF 80 Glute Builder	1
11	3085145-XX	Eleiko Battle Rope Attachment	1

DRAWING NUMBER:

11445

ARTICLE NUMBER:

<Insert>

DATE:

2021-02-23

DESIGNED BY:

jola

WEIGHT:

PAGE NUMBER:

2 / 2