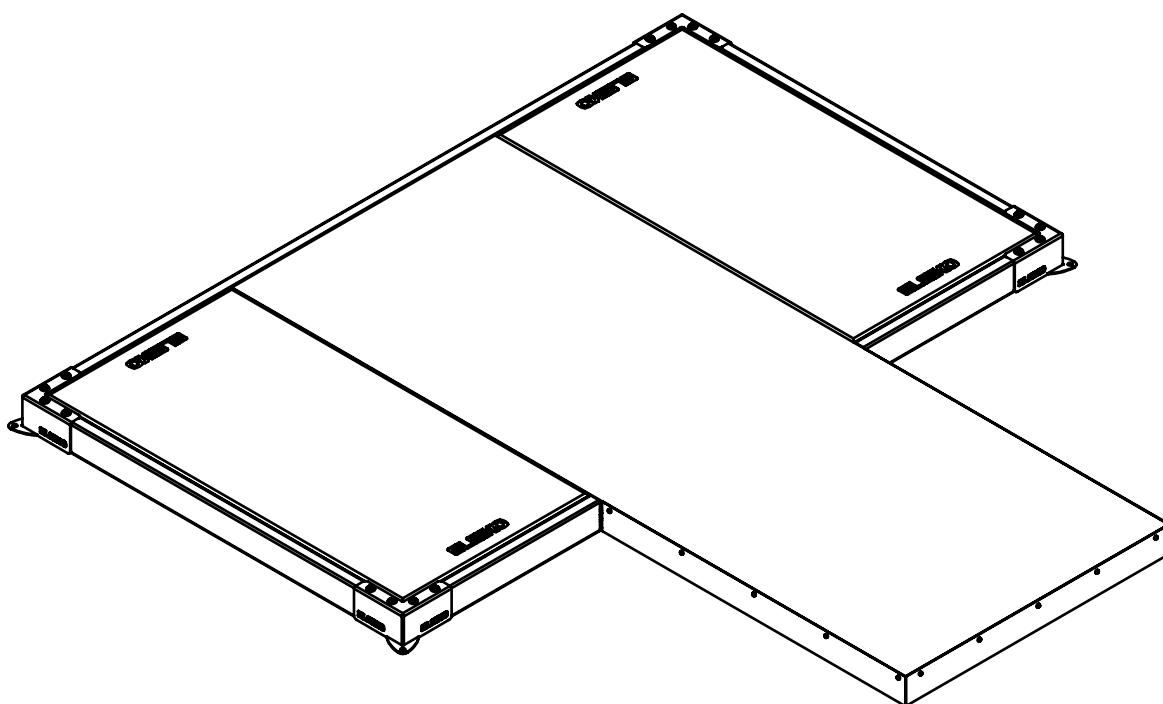


ELEIKO SVR PLATFORM Classic Line - small

Art.no. 3061381



READ BEFORE INSTALLATION AND USE

CAUTION

The equipment must be installed and used in a place whose access and supervision are specifically controlled by the owner.

Be sure to install the equipment on a stable base and properly level the equipment. Attach the corners to floor with appropriate fasteners.

SAFETY INSTRUCTIONS

It is the responsibility of the purchaser of ELEIKO products to instruct all users and supervising personnel on proper usage of the equipment.

1. All included warnings (labels) and instructions **MUST** be read before the use of any ELEIKO-equipment. Use each equipment as it is intended for.
2. A user **MUST** get a medical examination and proper instructions before the use of any ELEIKO-equipment.
3. **DO NOT** let anyone, under any circumstances, use equipment that appears to be damaged. Do not try to repair any equipment before consulting an ELEIKO technician.
4. **DO NOT** replace the components of ELEIKO-equipment with other none ELEIKO-equipment (magnetic safety pin, frames, bars), do not improvise. If there are any doubts consult an ELEIKO representative prior to any intervention.
5. **DO NOT** overload the equipment and **DO NOT** try to exceed personal strength levels.
6. Children and teenagers must be supervised by a knowledgeable adult.
7. **DO NOT** remove any safety labels from the ELEIKO-equipment. ELEIKO is not responsible if a label is removed. Replace damaged labels immediately.

PREVENTITIVE MAINTENANCE & INSPECTIONS

Regularly:

Clean the surfaces on frames and tubes from dust and dirt. Vacuum clean rubber tiles. Check that all bolts between parts and floor are properly tightened, according to recommendations.

WARRANTY

Tubings and corners: 3 years

Foam, wooden deck, rubber tiles: 1 year

Normal wear and tear does not fall under the warranty.

ADDITIONAL INFORMATION

This equipment is for indoor use only.

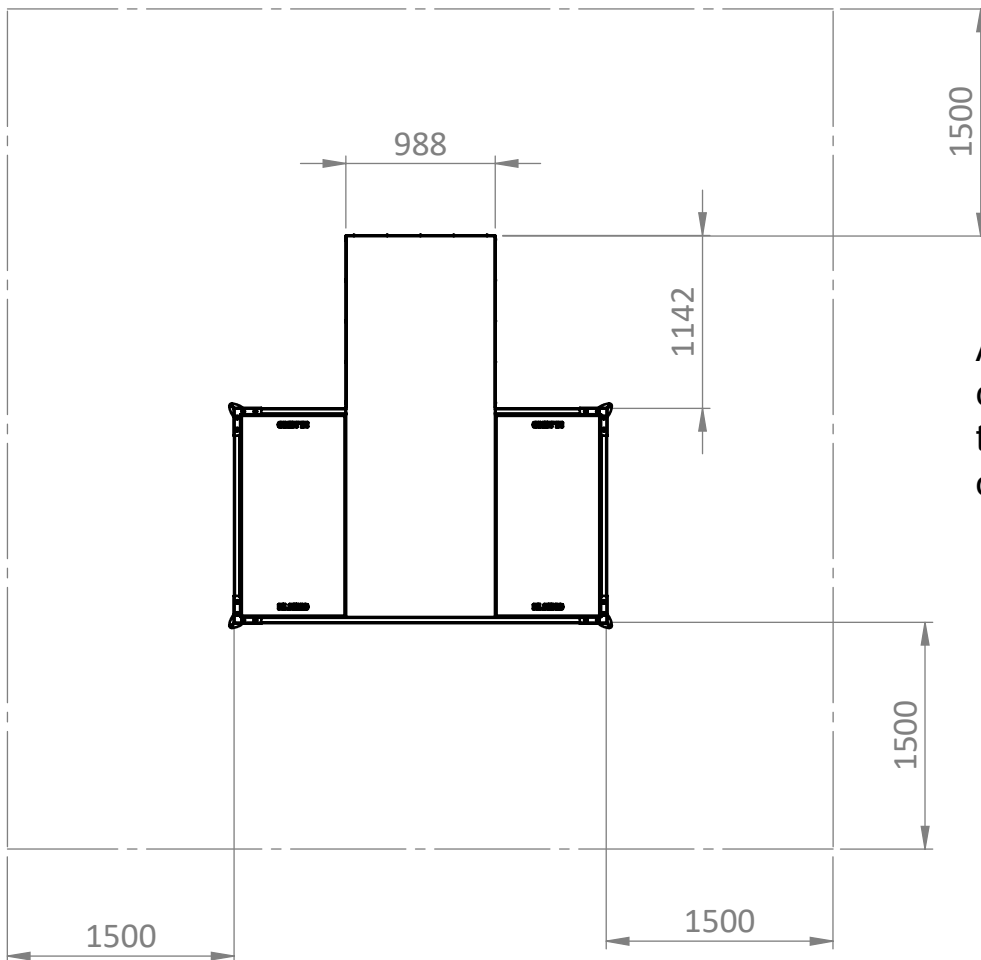


PRODUCT SPECIFICATION

Weightlifting training platform. For indoor use only.

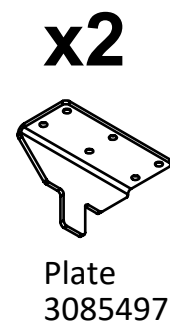
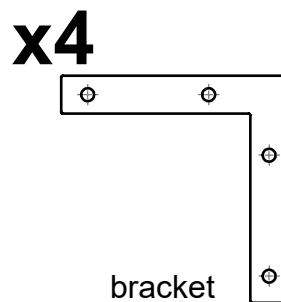
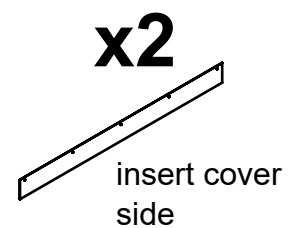
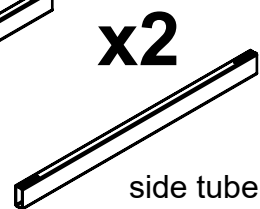
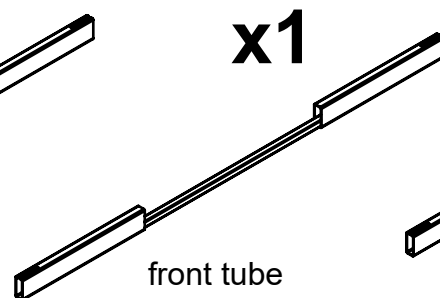
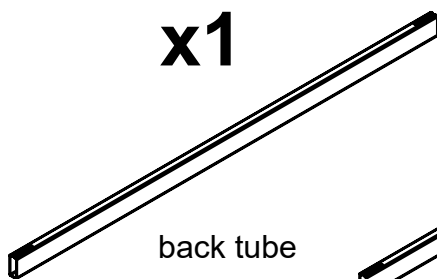
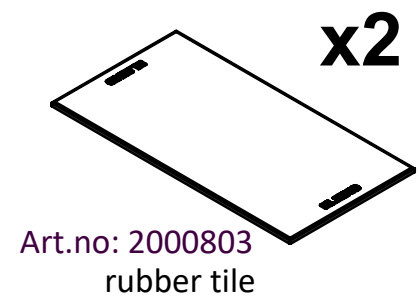
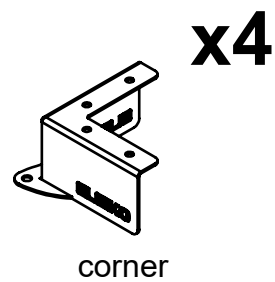
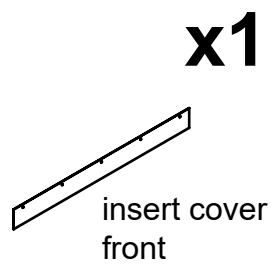
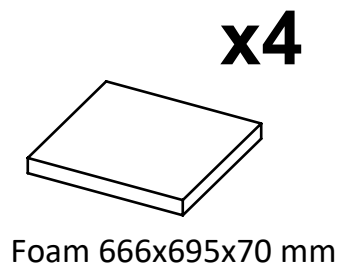
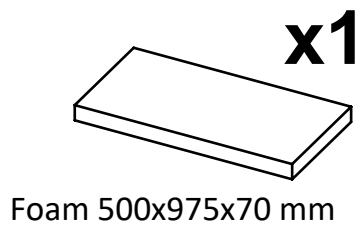
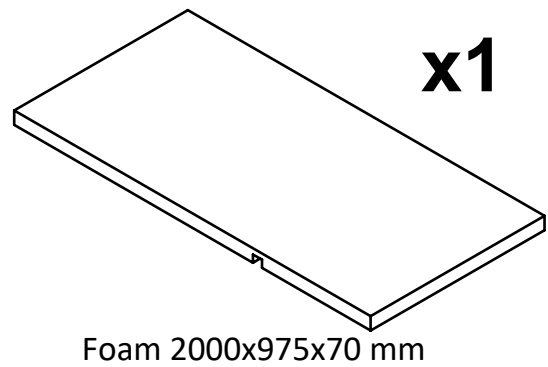
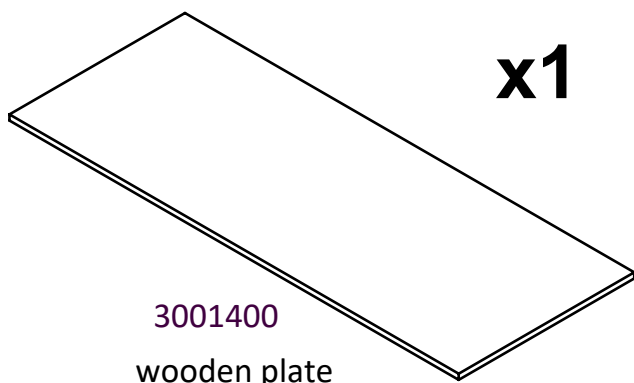
Product weight	276 kg / 608 lbs
Dimensions (L x W x H)	2565x2470x100 mm 101x97.2x3.9 in

FOOTPRINT AND FREE AREA

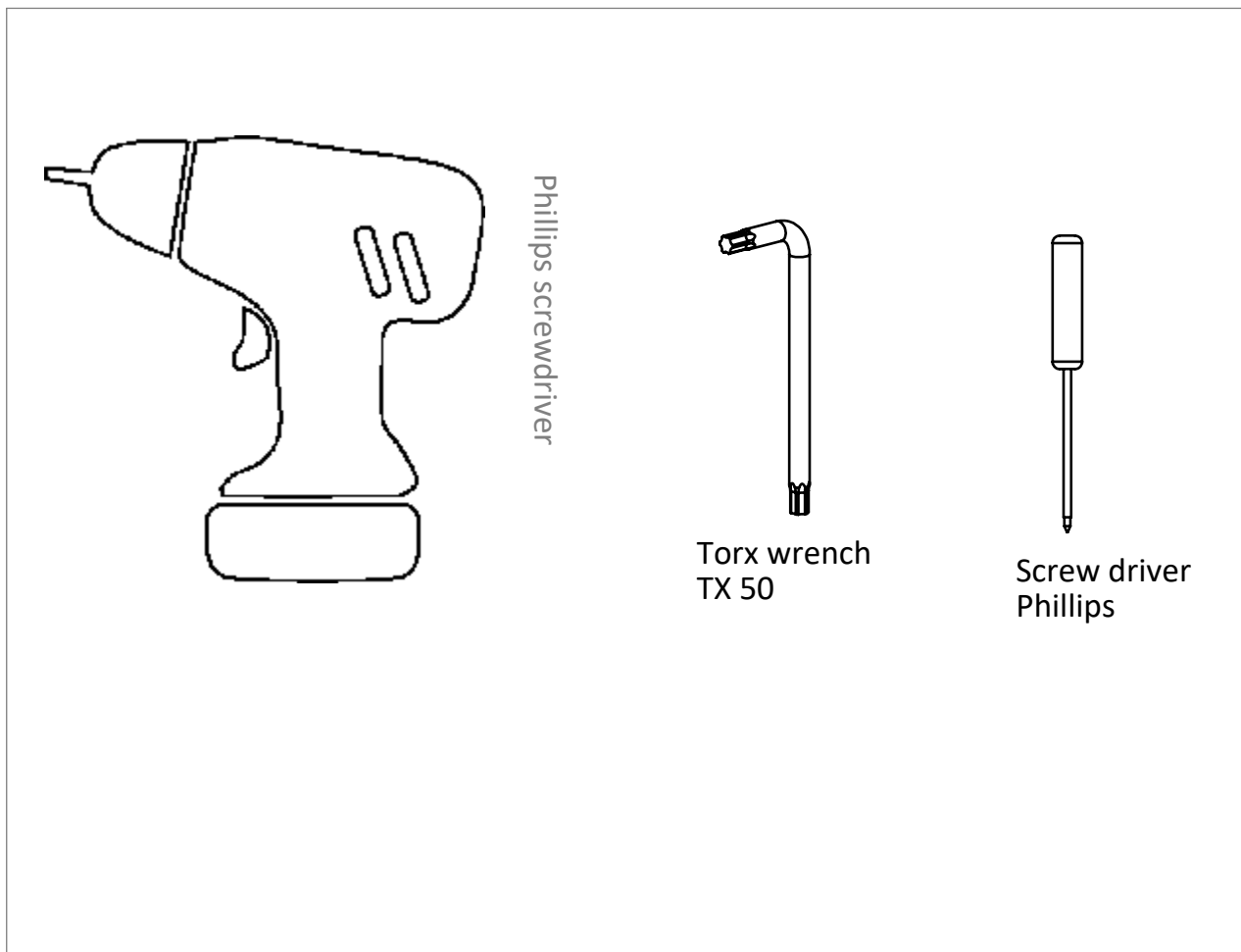


Add sufficient clearance, not less than 1.5 m (59 in), on all sides.

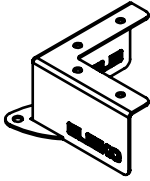
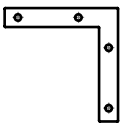

CONTENTS

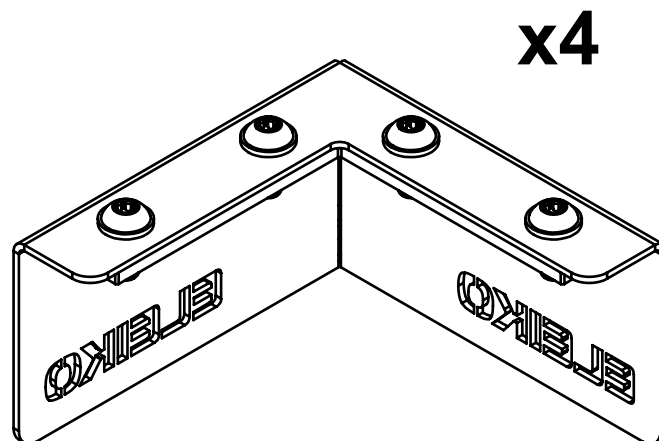
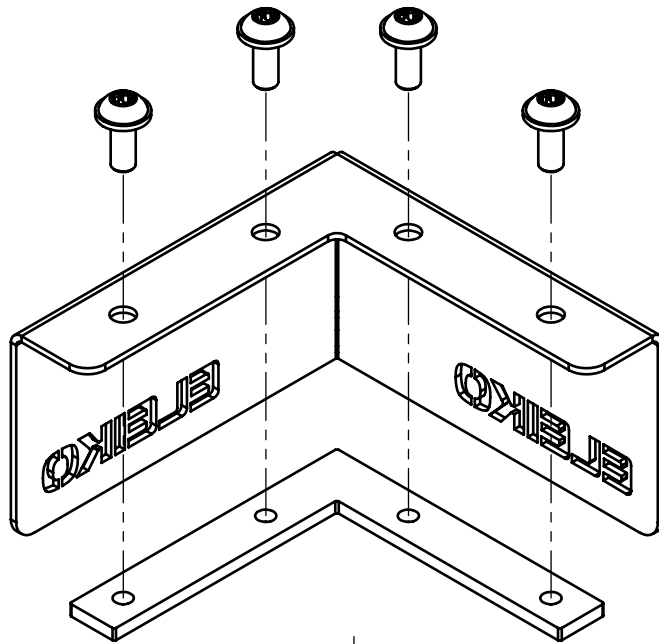


REQUIRED TOOLS



ASSEMBLY INSTRUCTIONS

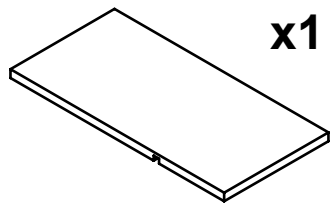
1.  **x4**  **x4**  **x16**
- corner bracket Screw M10x25
2001124-L25
-



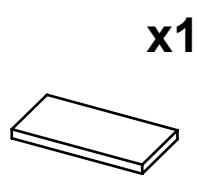
Loose screws!

ELEIKO

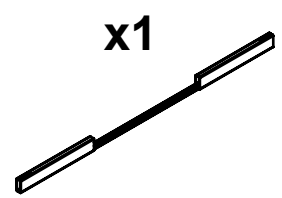
2.



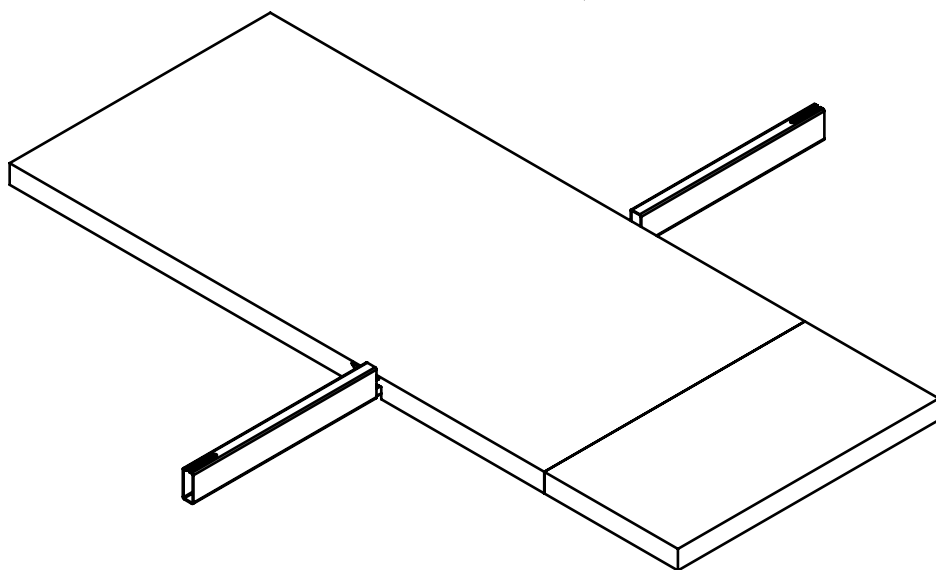
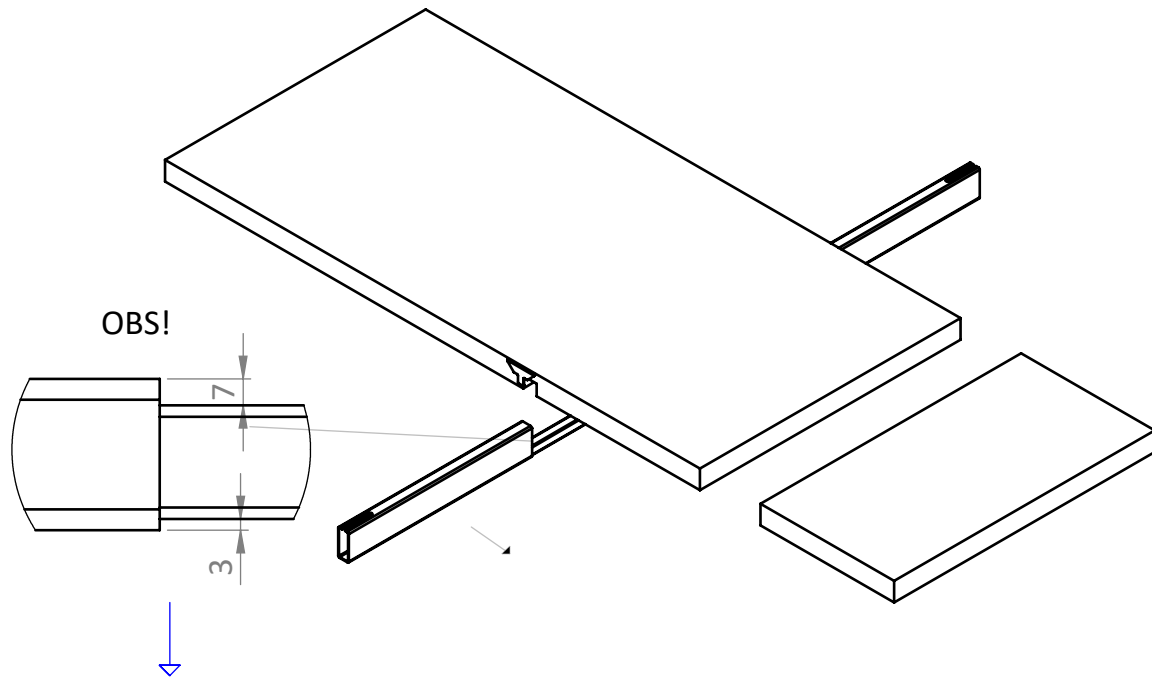
Foam 2000x975x70 mm



Foam 500x975x70 mm

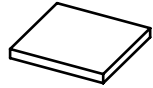


front tube



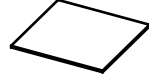
3.

x4

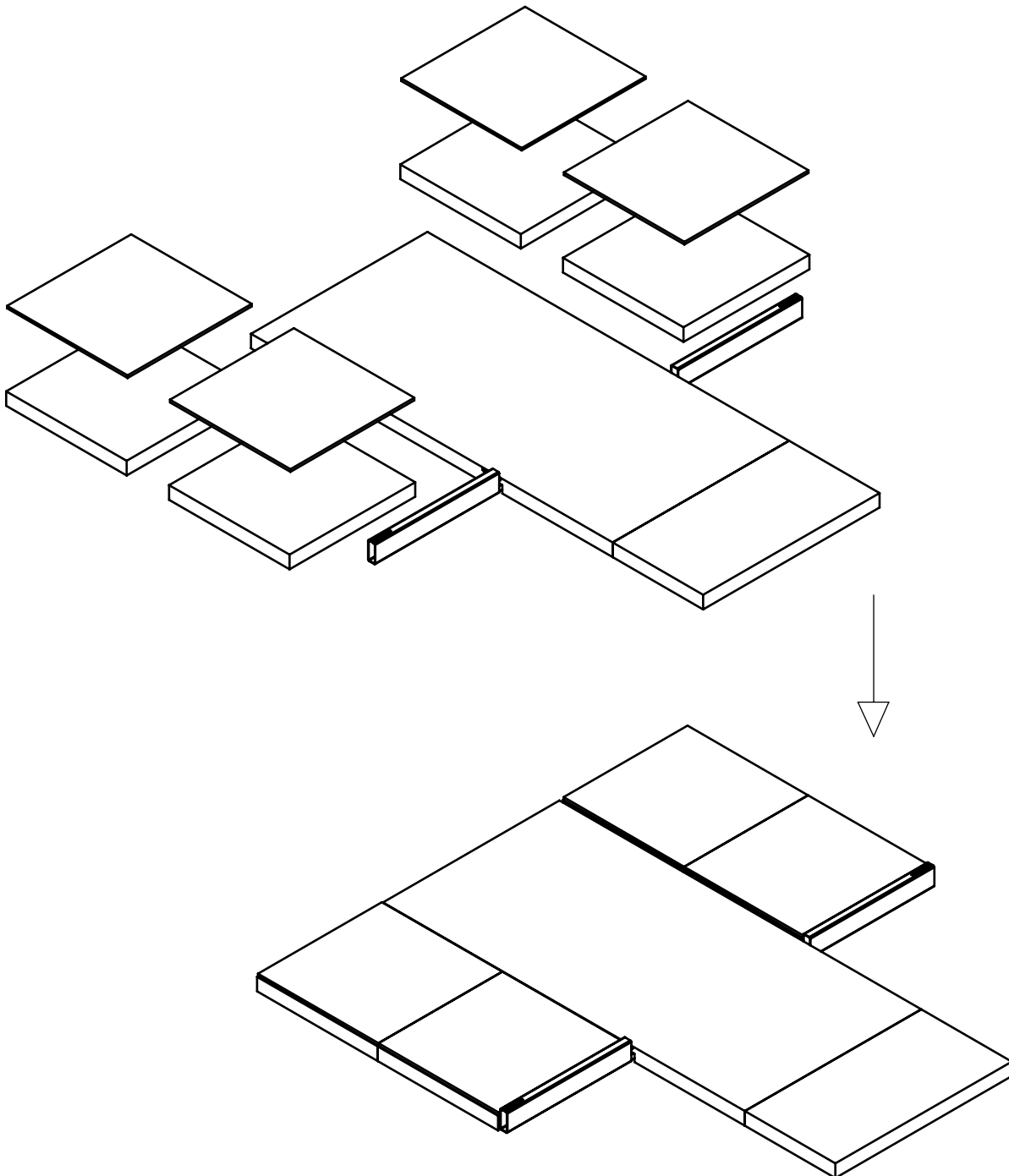


Foam
666x695x70 mm

x4



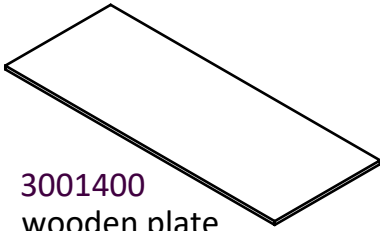
Foam BLACK
666x695x12,7 mm



ELEIKO

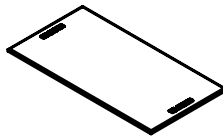
4.

x1



3001400
wooden plate

x2



2000803
rubber tile

x2

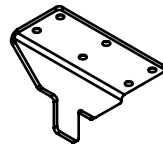
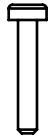
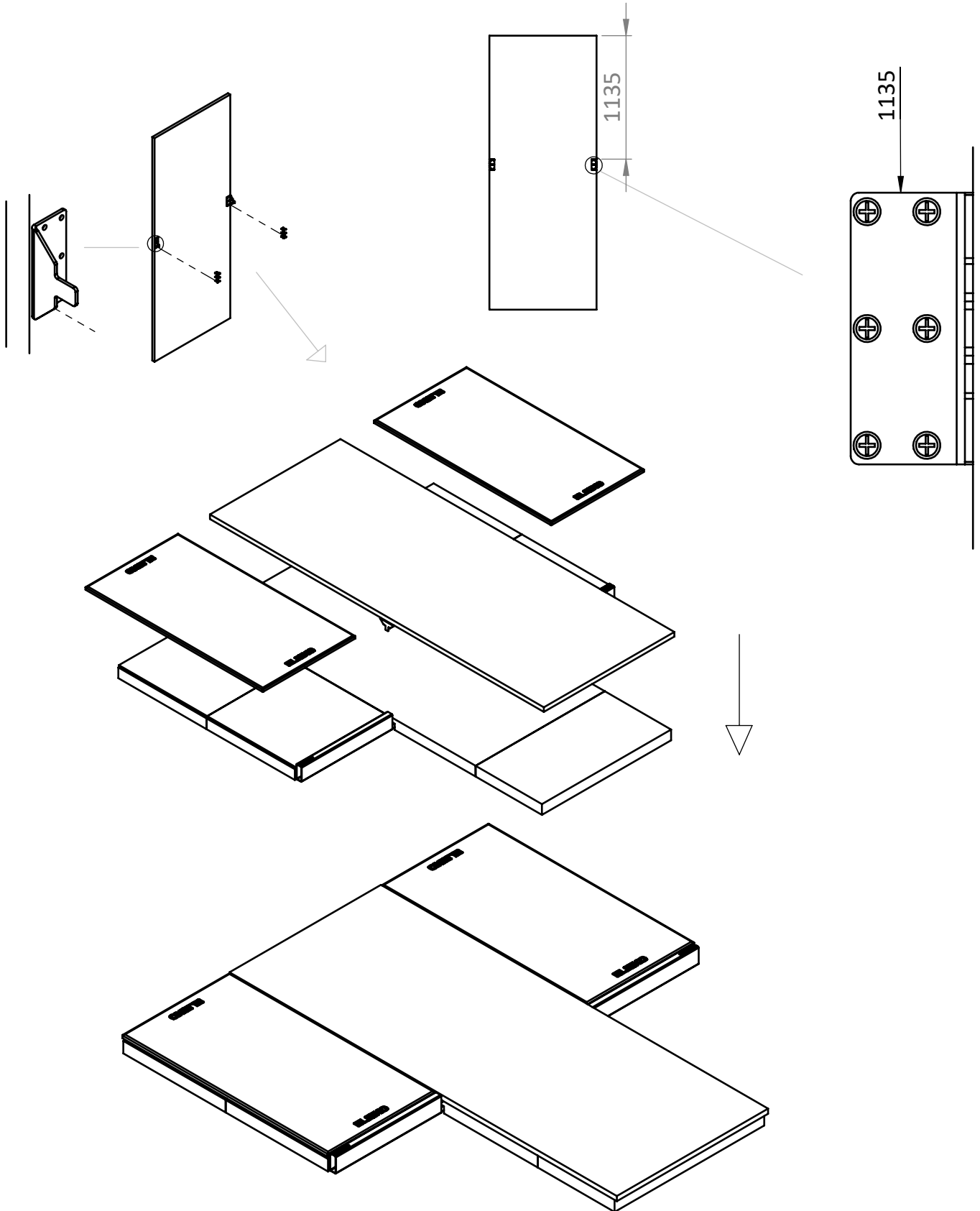


Plate
3085497

x12

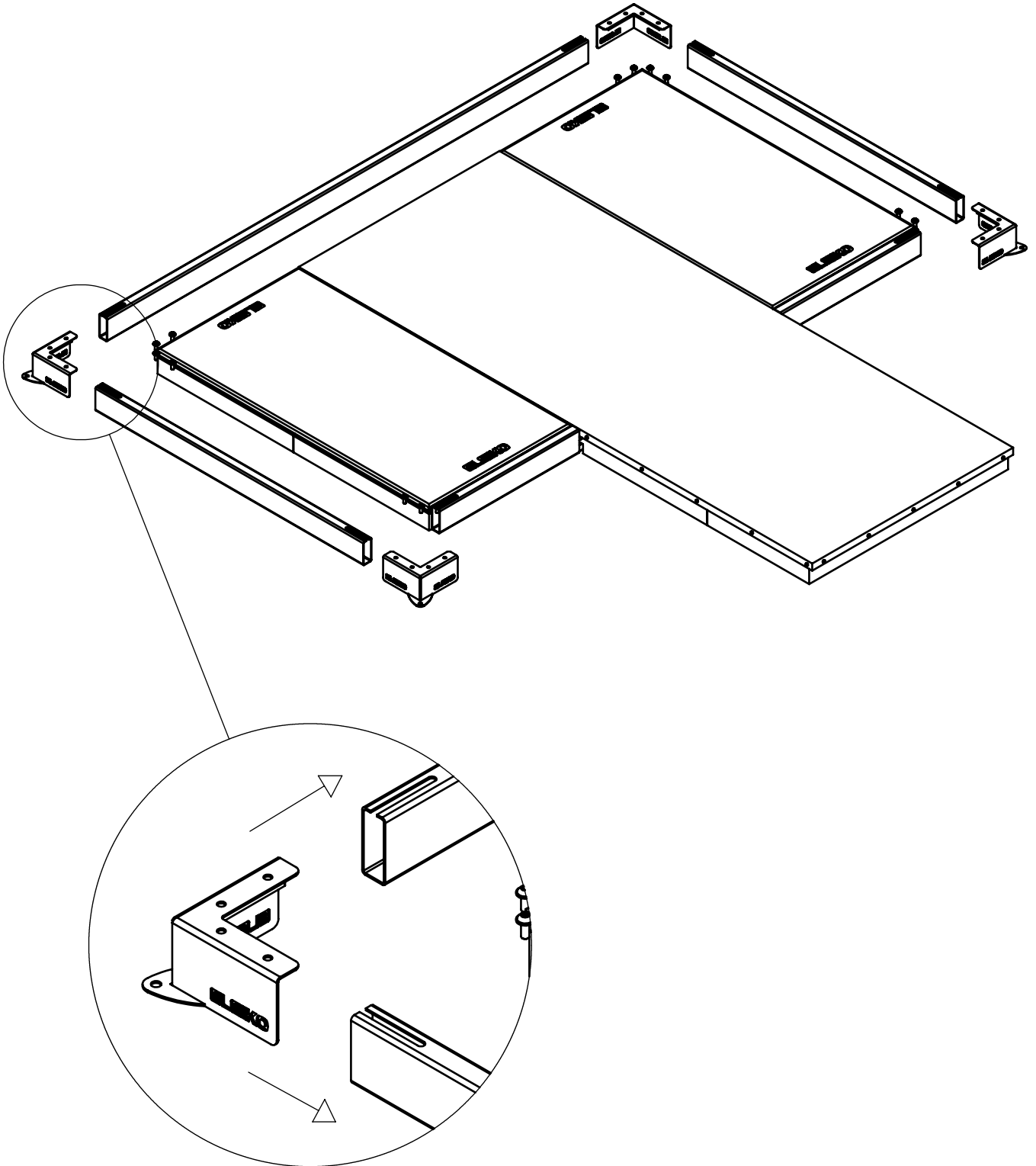
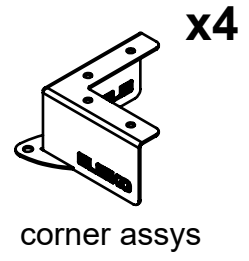
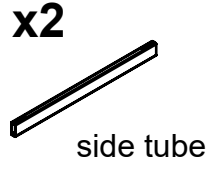
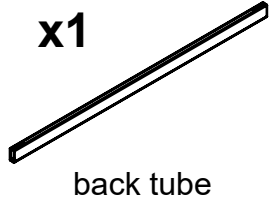


Art.no: 2001344
Wood screw 5x30

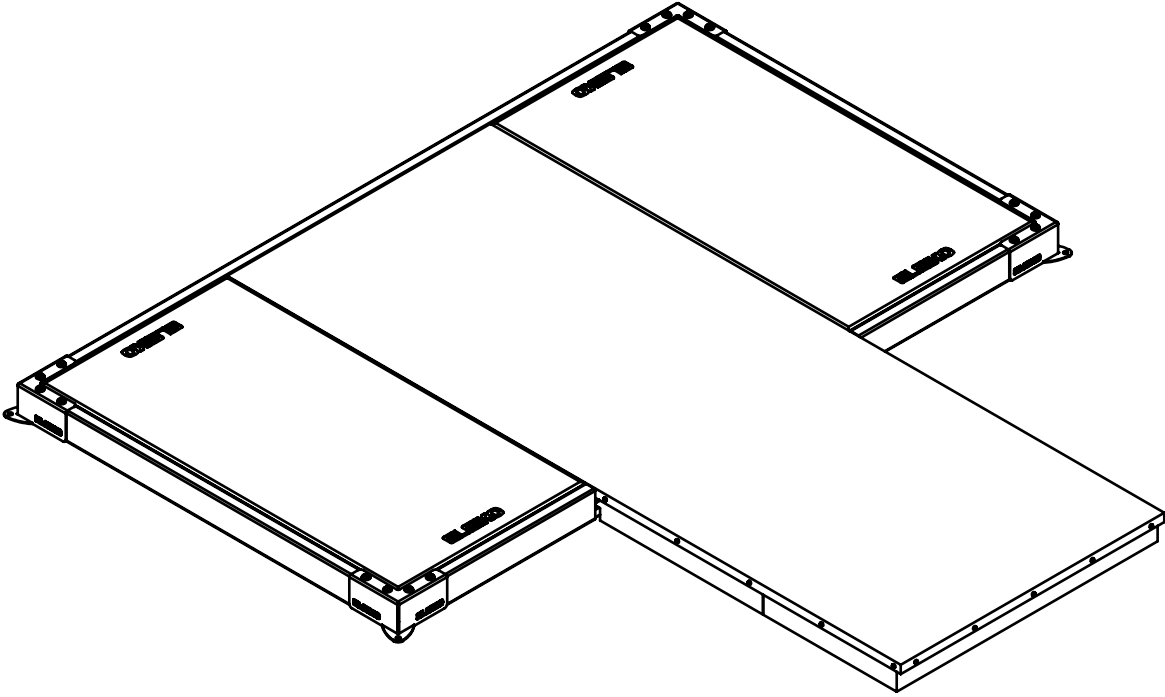


ELEIKO

5.



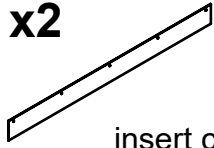
6.



Tighten frame and screws!

7.

x2



insert cover
side

x1

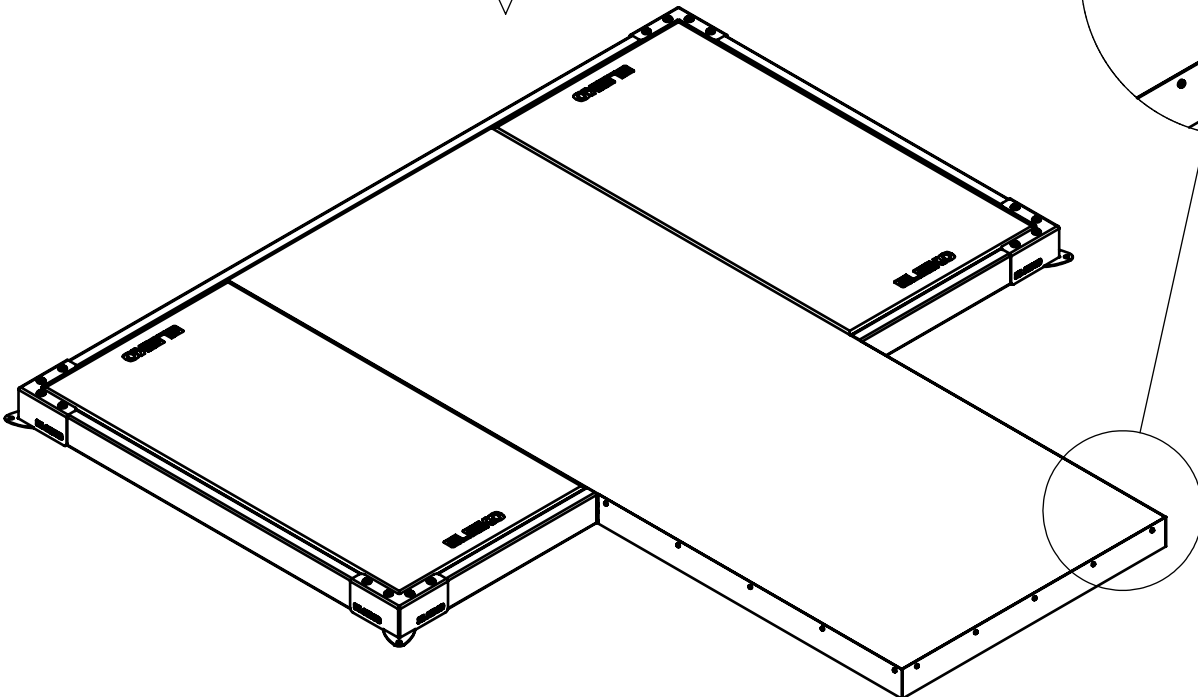
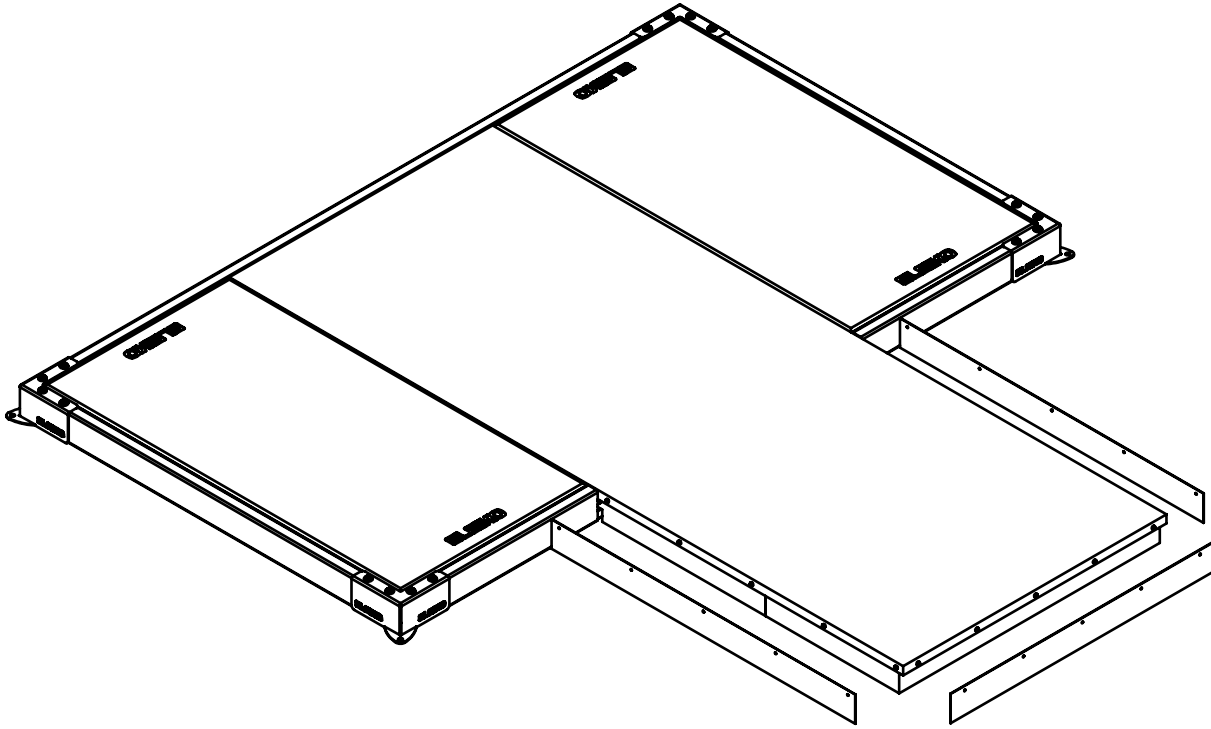


insert cover
front

x15



wood screw
L=30



ELEIKO



Eleiko Group AB | Klastorpsvägen 18 | SE-302 62 HALMSTAD | Sweden
E-mail: info@eleiko.com | Phone: +46 35 17 70 70

www.eleiko.com