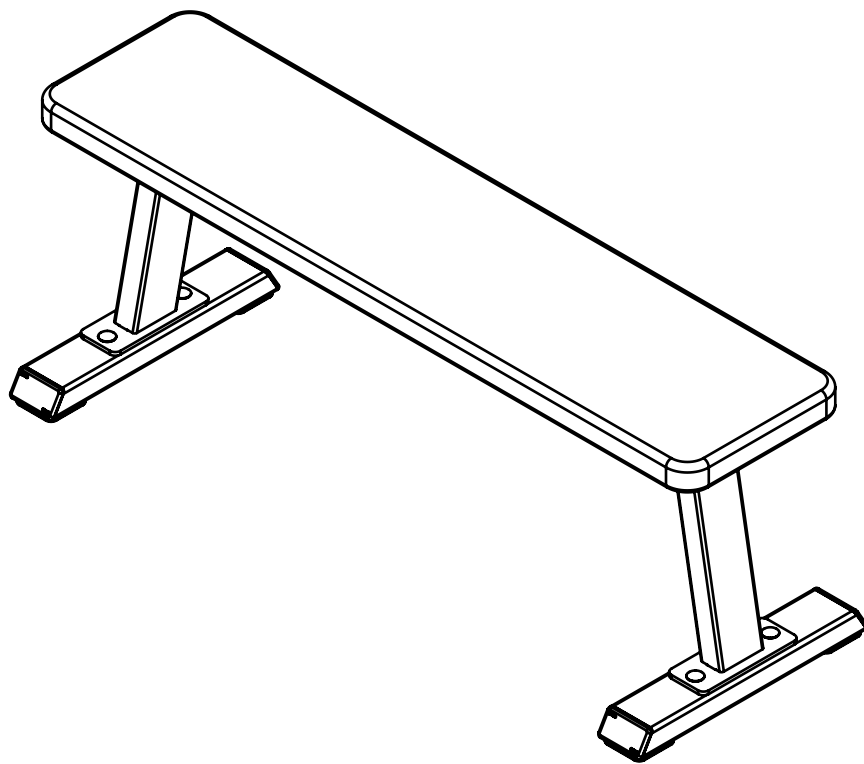


ELEIKO XF 80 FLAT BENCH

Art. no. 3002511



READ BEFORE INSTALLATION AND USE

CAUTION

The equipment must be installed and used in a place whose access and supervision are specifically controlled by the owner.

Be sure to install the equipment on a stable base and properly level the equipment. ELEIKO recommends that all equipment is secured to floor and installed by a licensed contractor or an ELEIKO-installer.

SAFETY INSTRUCTIONS

It is the responsibility of the purchaser of ELEIKO products to instruct all users and supervising personnel on proper usage of the equipment.

1. All included warnings (labels) and instructions MUST be read before the use of any ELEIKO-equipment. Use each equipment as it is intended for.
2. A user MUST get a medical examination and proper instructions before the use of any ELEIKO-equipment.
3. DO NOT let anyone, under any circumstances, use equipment that appears to be damaged. Do not try to repair any equipment before consulting an ELEIKO technician.
4. DO NOT replace the components of ELEIKO-equipment with other none ELEIKO-equipment (magnetic safety pin, frames, bars), do not improvise. If there are any doubts consult an ELEIKO representative prior to any intervention.
5. DO NOT overload the equipment and DO NOT try to exceed personal strength levels.
6. Keep children under the age of 14 away from the equipment and teenagers must be supervised.
7. DO NOT remove any safety labels from the ELEIKO-equipment. ELEIKO is not responsible if a label is removed. Replace damaged labels immediately.

PREVENTITIVE MAINTENANCE & INSPECTIONS

WEEKLY:

Clean the surfaces on frames and tubes from dust and dirt.

Check that all bolts between parts, walls, floors are properly tightened, according to recommendations.

WARRANTY

All products manufactured by ELEIKO Inc. are warranted to the original purchaser to be free from defects in workmanship and / or materials under normal use as follows:
5 years on welds on structural frame (NOT on moving parts)

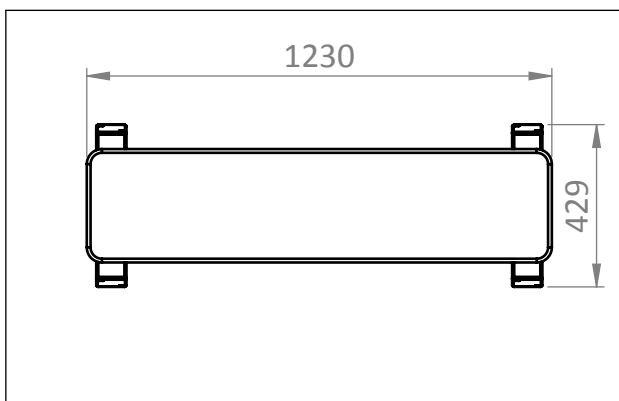
ADDITIONAL INFORMATION

This equipment is for indoor use only.

PRODUCT SPECIFICATIONS

Product weight	25 kg / 55 lbs
Max user weight	---
Max training weight	350 kg / 441 lbs
Dimensions (L x W x H)	1230 x 429 x 455 mm / 48" x 17" x 18"

FOOTPRINT AREA

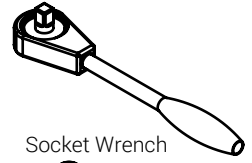


CONTENTS

Required tools:



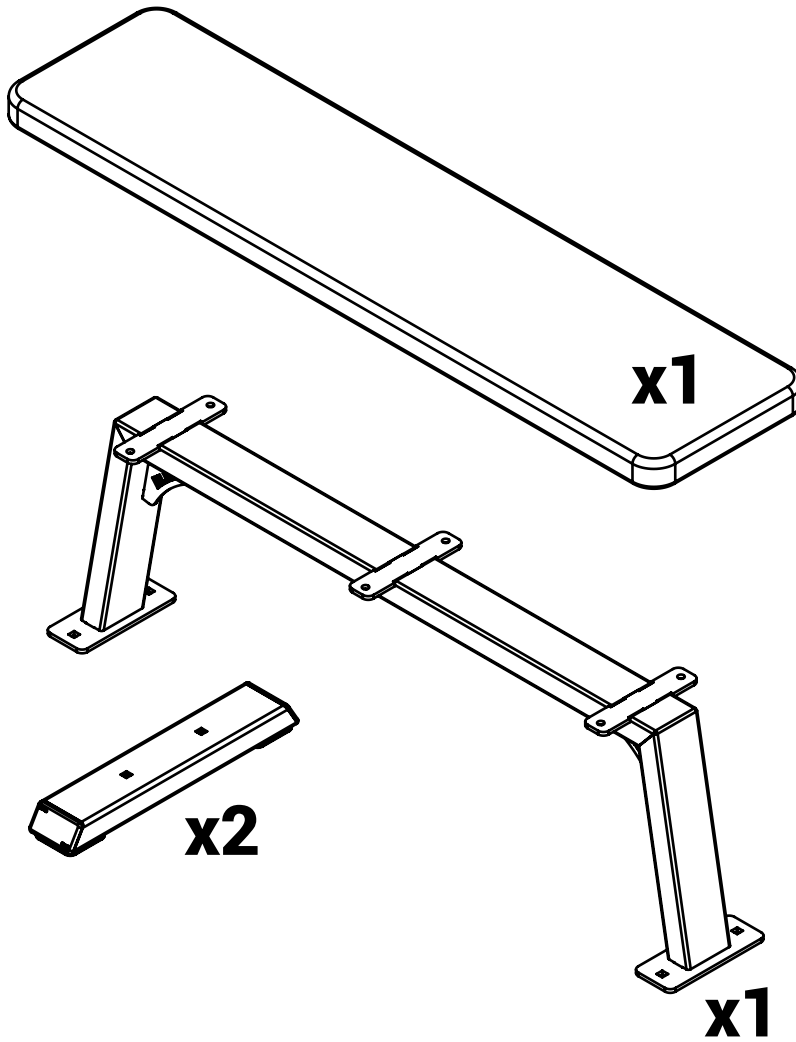
Allen key 5 mm



Socket Wrench



Socket 17 mm (M10)



x4

M10x30
DIN 603

Art.no 3080335



x4

M10 Washer
DIN 9021

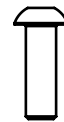
Art.no 3080331



x4

M10 Nut
DIN 985

Art.no 3080330



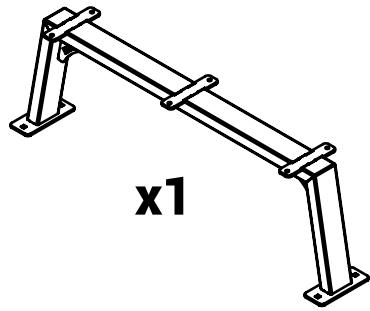
x6

M8x25
DIN 7380

Art.no 3080337

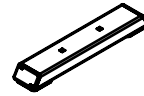
ASSEMBLY INSTRUCTIONS

1.

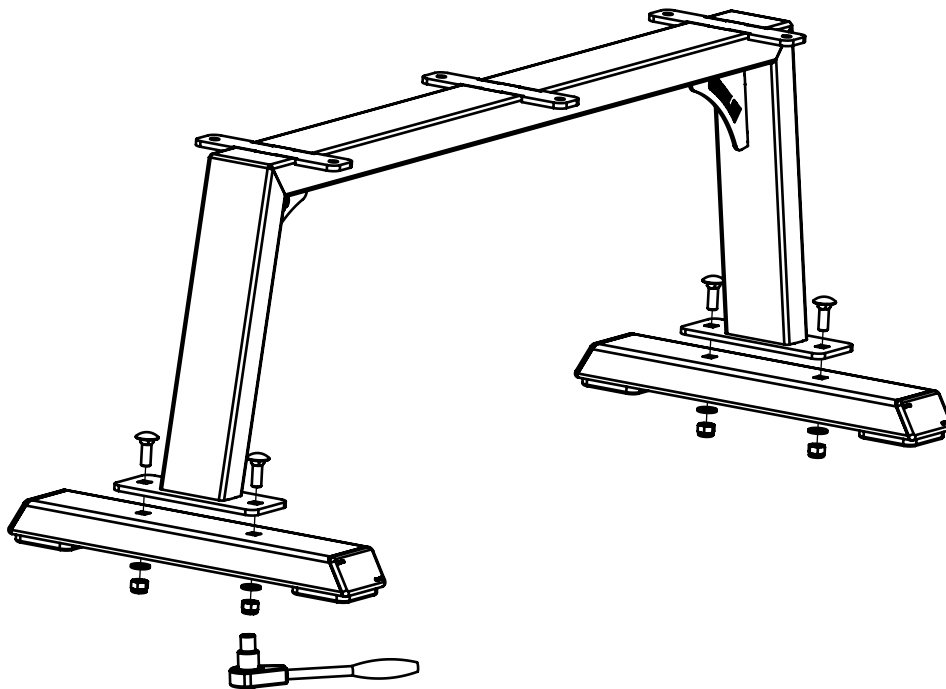


x1

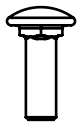
+



x2



Socket Wrench + Socket 17 mm (M10)



x4

M10x30
DIN 603

Art.no 3080335



x4

M10 Washer
DIN 9021

Art.no 3080331



x4

M10 Nut
DIN 985

Art.no 3080330

ASSEMBLY INSTRUCTIONS

2

